

Steam Duoflow Fixed Siphon

Catalog C2001
High Pressure Steam Duoflow Fixed Siphon

BC-54000 SERIES

Special Design Features

- **Two widely spaced Carbon Bearings provides greater support to the siphon pipe and hoses.**
- **Carbon Seal placed under compression add strength and shock resistance. Joints lasts longer.**
- **External seal wear indicator allows for planned maintenance reducing expensive downtime.**
- **Hardened sleeve and nickel plated end cap provide exceptional life at high pressure.**



Sizes 1/2" to 3"

Type "C" Ferrrous Trim Rotary Joints are ideal for a wide range of applications using steam. These joints feature an iron casing, ferrous sleeve and end cap, stainless steel spring and spring guides.

The high density carbon seal under compression and widely spaced bearing surfaces assure exceptionally long service life without lubrication. A key maintenance feature is the external seal wear indicator.

Operating Parameters:

Temperature:	+406°F (+208°C)
Pressure Rating:	
Sizes 1/2" to 1-1/2"	250 psi (17.2 BAR)
Sizes 2" to 3"	225 psi (15.5 BAR)

Engineered for Performance

TYPE "C" & "CF"



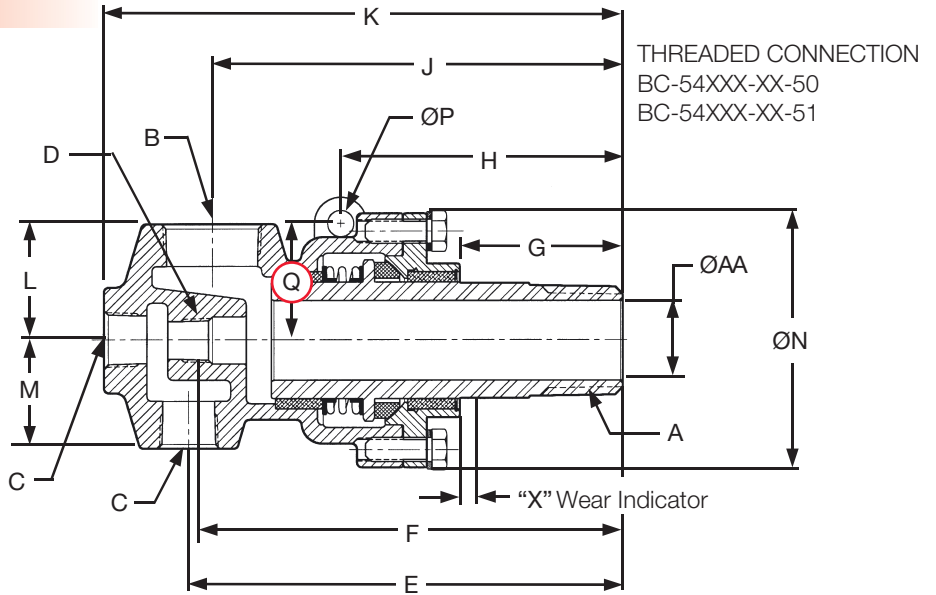
Ferrous Trim Construction
Recommended for higher pressure steam
to 250 psi (17.2 BAR)

For BSPT threads:

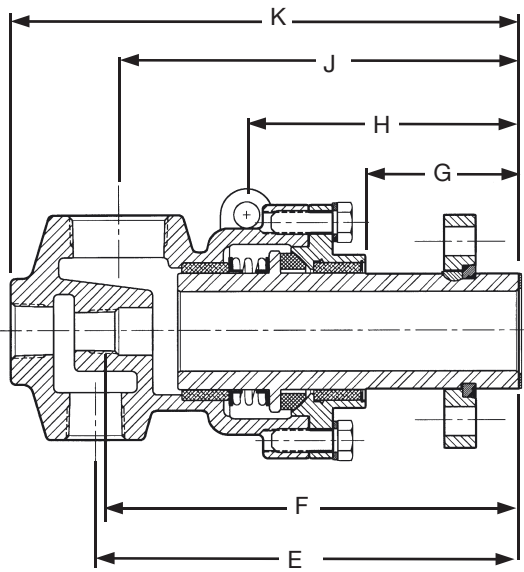
Add a "B" to the end of the part number.

Example: BC-54000-08-50B

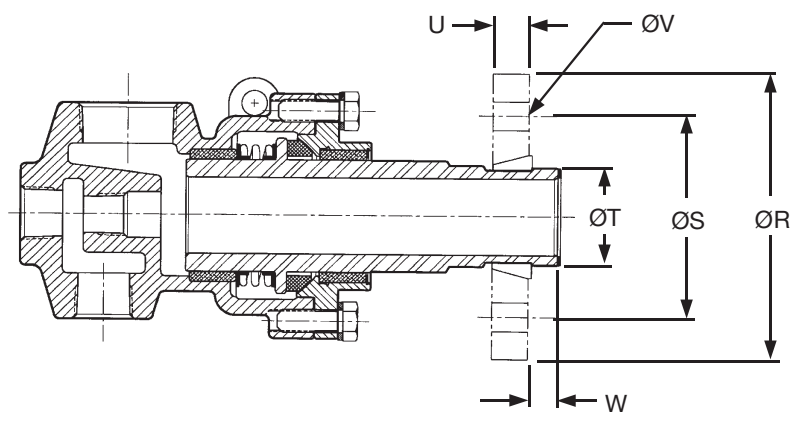
*BSPT Models are not supplied with siphon bushing



Joint Size	Ferrous Trim Part Number	A NPT	B NPT	øAA	C NPT	D Siphon Thread NPT	D Siphon Thd With Bushing*	E	F	G	H	J	K
1/2"	BC-54000-08-50	1/2" R.H.	1/2"	Ø.50"	1/4"	1/8"	—	5.37"	5.06"	1.73"	—	4.54"	5.87"
	BC-54000-08-51	1/2" L.H.	1/2"	Ø.50"	1/4"	1/8"	—	5.37"	5.06"	1.73"	—	4.54"	5.87"
3/4"	BC-54000-12-50	3/4" R.H.	3/4"	Ø.75"	1/2"	1/4"	1/8"	5.16"	5.25"	1.68"	—	4.54"	6.17"
	BC-54000-12-51	3/4" L.H.	3/4"	Ø.75"	1/2"	1/4"	1/8"	5.16"	5.25"	1.68"	—	4.54"	6.17"
1"	BC-54000-16-50	1" R.H.	1"	Ø1.00"	1/2"	3/8"	1/4"	5.96"	6.04"	2.03"	4.01"	5.21"	7.01"
	BC-54000-16-51	1" L.H.	1"	Ø1.00"	1/2"	3/8"	1/4"	5.96"	6.04"	2.03"	4.01"	5.21"	7.01"
	BC-54000-16-60	CF	1"	Ø1.00"	1/2"	3/8"	1/4"	6.69"	6.78"	2.77"	4.75"	5.94"	7.75"
	BC-54000-16-62	QR	1"	Ø1.00"	1/2"	3/8"	1/4"	6.70"	6.79"	2.78"	4.76"	5.95"	7.76"
1 1/4"	BC-54000-20-50	1 1/4" R.H.	1 1/4"	Ø1.25"	3/4"	1/2"	3/8"	6.99"	7.25"	1.89"	4.37"	6.68"	8.60"
	BC-54000-20-51	1 1/4" L.H.	1 1/4"	Ø1.25"	3/4"	1/2"	3/8"	6.99"	7.25"	1.89"	4.37"	6.68"	8.60"
	BC-54000-20-62	QR	1 1/4"	Ø1.25"	3/4"	1/2"	3/8"	8.55"	8.81"	3.45"	5.93"	8.24"	10.16"
1 1/2"	BC-54000-24-50	1 1/2" R.H.	1 1/2"	Ø1.50"	3/4"	3/4"	1/2"	7.48"	7.53"	2.12"	4.72"	7.04"	9.03"
	BC-54000-24-51	1 1/2" L.H.	1 1/2"	Ø1.50"	3/4"	3/4"	1/2"	7.48"	7.53"	2.12"	4.72"	7.04"	9.03"
	BC-54000-24-60	CF	1 1/2"	Ø1.50"	3/4"	3/4"	1/2"	8.89"	8.94"	3.53"	6.13"	8.45"	10.45"
	BC-54000-24-62	QR	1 1/2"	Ø1.50"	3/4"	3/4"	1/2"	8.89"	8.94"	3.53"	6.13"	8.45"	10.45"
2"	BC-54000-32-50	2" R.H.	2"	Ø1.88"	1 1/4"	3/4"	1/2"	8.62"	8.62"	2.19"	5.01"	8.06"	10.63"
	BC-54000-32-51	2" L.H.	2"	Ø1.88"	1 1/4"	3/4"	1/2"	8.62"	8.62"	2.19"	5.01"	8.06"	10.63"
	BC-54000-32-60	CF	2"	Ø1.88"	1 1/4"	3/4"	1/2"	10.09"	10.08"	3.66"	6.48"	9.53"	12.10"
	BC-54000-32-62	QR	2"	Ø1.88"	1 1/4"	3/4"	1/2"	9.71"	9.71"	3.28"	6.10"	9.15"	11.72"
2 1/2"	BC-54000-40-50	2 1/2" R.H.	2 1/2"	Ø2.25"	1 1/4"	1"	3/4"	10.14"	10.24"	2.91"	6.33"	9.76"	12.45"
	BC-54000-40-51	2 1/2" L.H.	2 1/2"	Ø2.25"	1 1/4"	1"	3/4"	10.14"	10.24"	2.91"	6.33"	9.76"	12.45"
	BC-54000-40-60	CF	2 1/2"	Ø2.25"	1 1/4"	1"	3/4"	10.09"	10.56"	3.66"	6.48"	9.53"	12.10"
	BC-54000-40-62	QR	2 1/2"	Ø2.25"	1 1/4"	1"	3/4"	10.77"	10.86"	3.54"	6.96"	10.39"	13.08"
3"	BC-54000-48-50	3" R.H.	3"	Ø2.88"	1 1/2"	1 1/2"	1"	10.86"	11.03"	3.05"	6.60"	10.67"	13.04"
	BC-54000-48-51	3" L.H.	3"	Ø2.88"	1 1/2"	1 1/2"	1"	10.86"	11.03"	3.05"	6.60"	10.67"	13.04"
	BC-54000-48-60	CF	3"	Ø2.88"	1 1/2"	1 1/2"	1"	11.35"	11.53"	3.55"	7.10"	11.16"	13.53"
	BC-54000-48-62	QR	3"	Ø2.88"	1 1/2"	1 1/2"	1"	11.36"	11.53"	3.55"	7.10"	11.16"	13.54"



"CF" CONNECTION
BC-54XXX-XX-60

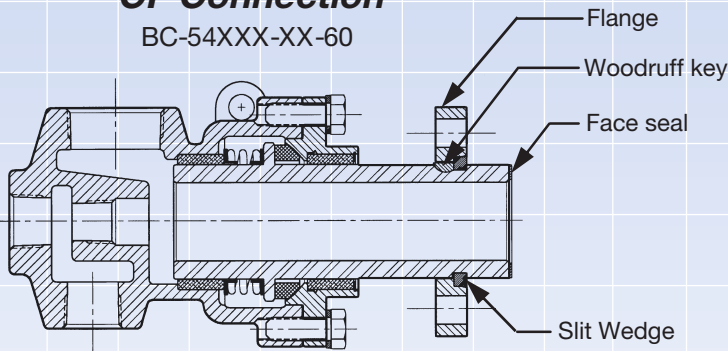


QUICK RELEASE CONNECTION
BC-54XXX-XX-62

L	M	ØN	ØP	Torque Rod O.D. Max.	Q	ØR	ØS	ØT	U	4X ØV	W	"X"	Weight	Joint Size
1.62"	1.16"	Ø3.00"	—	—	—	—	—	—	—	—	—	.19"	3.5 lbs	1/2"
1.62"	1.16"	Ø3.00"	—	—	—	—	—	—	—	—	—	.19"	3.5 lbs	
1.75"	1.25"	Ø3.38"	—	—	—	—	—	—	—	—	—	.19"	5 lbs.	3/4"
1.75"	1.25"	Ø3.38"	—	—	—	—	—	—	—	—	—	.19"	5 lbs.	
2.06"	1.25"	Ø3.62"	Ø.50"	Ø.38"	1.75"	—	—	—	—	—	—	.25"	6 lbs.	1"
2.06"	1.25"	Ø3.62"	Ø.50"	Ø.38"	1.75"	—	—	—	—	—	—	.25"	6 lbs.	
2.06"	1.25"	Ø3.62"	Ø.50"	Ø.38"	1.75"	Ø3.88"	Ø2.75"	Ø1.399"-1.401"	.75"	Ø.56"	1.092"	.25"	9 lbs.	
2.06"	1.25"	Ø3.62"	Ø.50"	Ø.38"	1.75"	Ø5.00"	Ø3.12"	Ø1.276"-1.278"	.56"	Ø.56"	.438"	.25"	9 lbs.	
2.19"	1.78"	Ø4.38"	Ø.62"	Ø.50"	2.09"	—	—	—	—	—	—	.25"	13 lbs	1 1/4"
2.19"	1.78"	Ø4.38"	Ø.62"	Ø.50"	2.09"	—	—	—	—	—	—	.25"	13 lbs	
2.19"	1.78"	Ø4.38"	Ø.62"	Ø.50"	2.09"	Ø5.50"	Ø3.50"	Ø1.620"-1.622"	.62"	Ø.56"	.50"	.25"	18 lbs.	
2.44"	2.06"	Ø4.75"	Ø.62"	Ø.50"	2.26"	—	—	—	—	—	—	.25"	15 lbs	1 1/2"
2.44"	2.06"	Ø4.75"	Ø.62"	Ø.50"	2.26"	—	—	—	—	—	—	.25"	15 lbs	
2.44"	2.06"	Ø4.75"	Ø.62"	Ø.50"	2.26"	Ø4.88"	Ø3.62"	Ø2.091"-2.093"	.75"	Ø.69"	1.092"	.25"	19 lbs	
2.44"	2.06"	Ø4.75"	Ø.62"	Ø.50"	2.26"	Ø5.50"	Ø3.88"	Ø1.872"-1.870"	.69"	Ø.56"	.50"	.25"	19 lbs.	
2.75"	2.56"	Ø6.00"	Ø.62"	Ø.50"	2.76"	—	—	—	—	—	—	.31"	26 lbs	2"
2.75"	2.56"	Ø6.00"	Ø.62"	Ø.50"	2.76"	—	—	—	—	—	—	.31"	26 lbs	
2.75"	2.56"	Ø6.00"	Ø.62"	Ø.50"	2.76"	Ø5.50"	Ø4.25"	Ø2.714"-2.716"	.75"	Ø.69"	1.092"	.31"	31 lbs	
2.75"	2.56"	Ø6.00"	Ø.62"	Ø.50"	2.76"	Ø6.81"	Ø4.75"	Ø2.318"-2.320"	.75"	Ø.56"	.625"	.31"	34 lbs.	
3.00"	2.50"	Ø6.75"	Ø.75"	Ø.62"	3.06"	—	—	—	—	—	—	.25"	33 lbs.	2 1/2"
3.00"	2.50"	Ø6.75"	Ø.75"	Ø.62"	3.06"	—	—	—	—	—	—	.25"	33 lbs.	
3.00"	2.50"	Ø6.75"	Ø.75"	Ø.62"	3.06"	Ø5.88"	Ø4.62"	Ø3.089"-3.091"	.75"	Ø.75"	1.092"	.25"	40 lbs	
3.00"	2.50"	Ø6.75"	Ø.75"	Ø.62"	3.06"	Ø6.75"	Ø4.75"	Ø2.838"-2.840"	.88"	Ø.56"	.75"	.25"	42 lbs.	
3.62"	2.88"	Ø7.88"	Ø.94"	Ø.75"	3.62"	—	—	—	—	—	—	.25"	45 lbs.	3"
3.62"	2.88"	Ø7.88"	Ø.94"	Ø.75"	3.62"	—	—	—	—	—	—	.25"	45 lbs.	
3.62"	2.88"	Ø7.88"	Ø.94"	Ø.75"	3.62"	Ø6.50"	Ø5.25"	Ø3.714"-3.716"	.75"	Ø.69"	1.092"	.25"	50 lbs	
3.62"	2.88"	Ø7.88"	Ø.94"	Ø.75"	3.62"	Ø8.00"	Ø6.75"	Ø3.430"-3.732"	.94"	Ø.69"	.88"	.25"	57 lbs.	

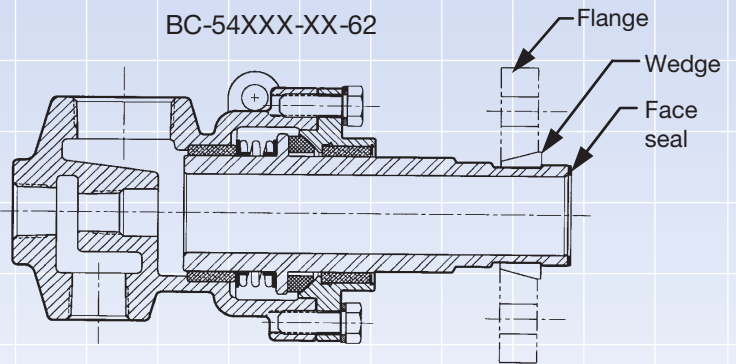
CF Connection

BC-54XXX-XX-60



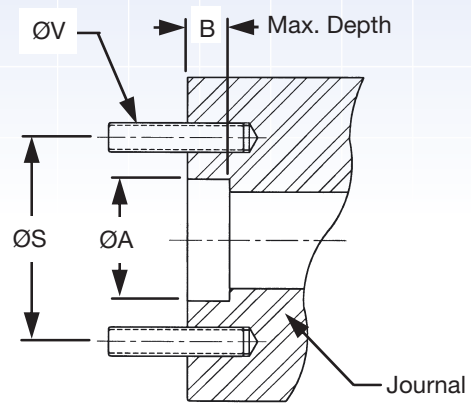
Quick Release Connection

BC-54XXX-XX-62



Journal Dimensions

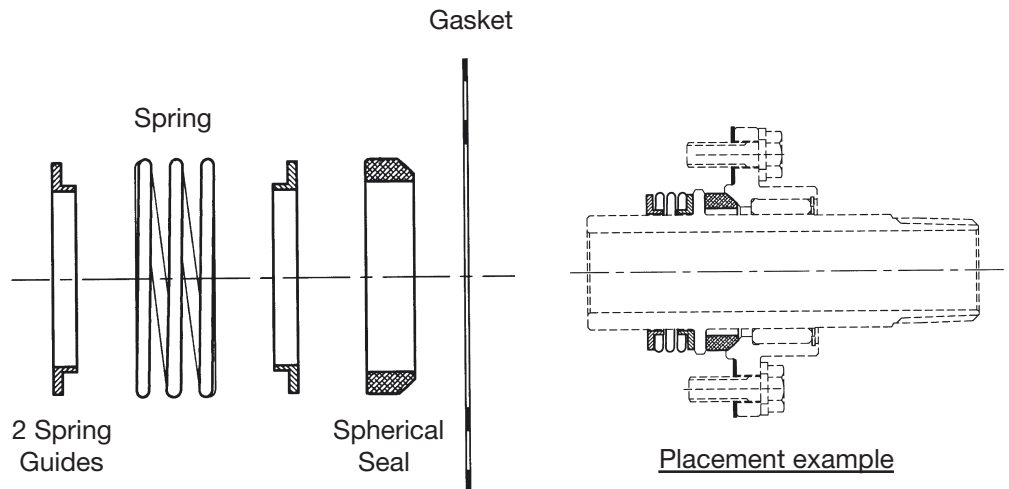
Joint size	CF Connection		Quick Release Connection	
	ØA	B	ØA	B
1"	Ø1.408"-1.406"	1.052"	Ø1.283"-1.279"	.312"
1 1/4"	--	1.052"	Ø1.624"-1.623"	.375"
1 1/2"	Ø2.099"-2.096"	1.052"	Ø1.877"-1.873"	.375"
2"	Ø2.724"-2.721"	1.052"	Ø2.325"-2.321"	.500"
2 1/2"	Ø3.099"-3.096"	1.052"	Ø2.845"-2.841"	.625"
3"	Ø3.724"-3.721"	1.052"	Ø3.439"-3.435"	.875"



Quick Release Flanges and split wedges are available. Contact DEUBLIN for more information.

Repair Kits

Joint Size	Part Number
1/2"	10-27274-00
3/4"	10-27275-00
1"	10-27276-00
1 1/4"	10-27277-00
1 1/2"	10-27278-00
2"	10-27279-00
2 1/2"	10-27280-00
3"	10-27281-00



DEUBLIN Company
2050 Norman Drive
Waukegan, IL 60085-6747 U.S.A.
Phone: +1 847 689-8600
Fax: +1 847 689-8690
E-Mail: customerservice@deublin.com

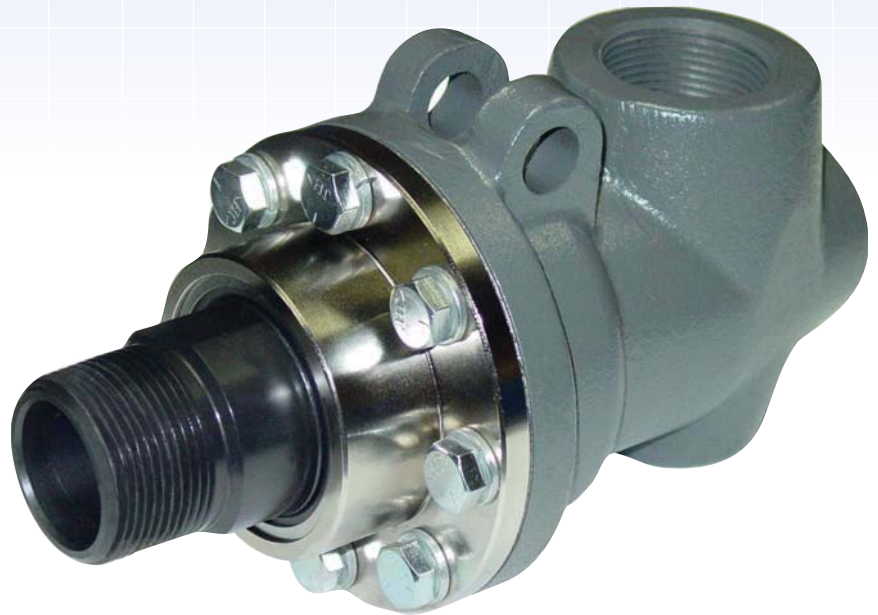
Steam Monoflow

Catalog C2002
High Pressure Steam Monoflow

BC-54100 SERIES

Special Design Features

- **Two widely spaced Carbon Bearings provides greater support to the siphon pipe and hoses.**
- **Carbon Seal placed under compression add strength and shock resistance. Joints lasts longer.**
- **External seal wear indicator allows for planned maintenance reducing expensive downtime.**
- **Hardened sleeve and nickel plated end cap provide exceptional life at high pressure.**



Sizes 1/2" to 3"

Type "CS" Ferrous Trim Rotary Joints are ideal for a wide range of applications using steam. These joints feature an iron casing, ferrous sleeve and end cap, stainless steel spring and spring guides.

The high density carbon seal under compression and widely spaced bearing surfaces assure exceptionally long service life without lubrication. A key maintenance feature is the external seal wear indicator.

Operating Parameters:

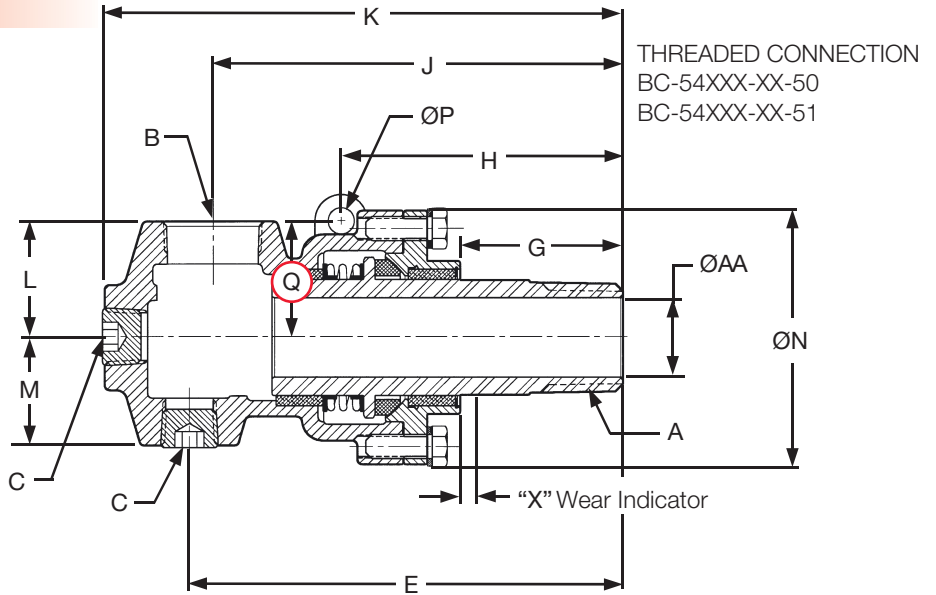
Temperature:	+406°F (+208°C)
Pressure Rating:	
Sizes 1/2" to 1-1/2"	250 psi (17.2 BAR)
Sizes 2" to 3"	225 psi (15.5 BAR)

Engineered for Performance

TYPE "CS" & "CSF"

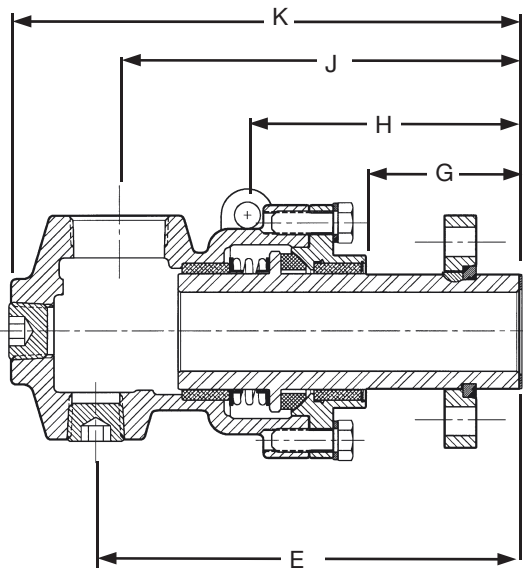


Ferrous Trim Construction
Recommended for higher pressure steam
to 250 psi (17.2 BAR)

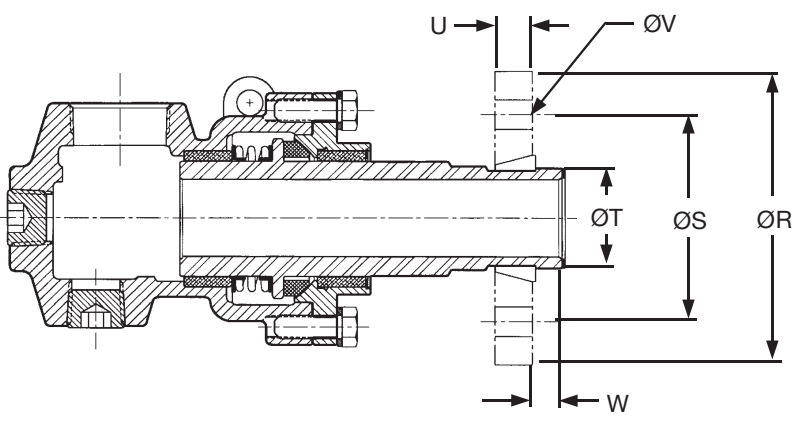


For BSPT threads:
Add a "B" to the end of the part number.
Example: BC-54100-08-50B

Joint Size	Ferrous Trim Part Number	A NPT	B NPT	øAA	C NPT	E	G	H	J	K	L	M
1/2"	BC-54100-08-50	1/2" R.H.	1/2"	Ø.50"	1/4"	5.37"	1.73"	—	4.54"	5.87"	1.62"	1.16"
	BC-54100-08-51	1/2" L.H.	1/2"	Ø.50"	1/4"	5.37"	1.73"	—	4.54"	5.87"	1.62"	1.16"
3/4"	BC-54100-12-50	3/4" R.H.	3/4"	Ø.75"	1/2"	5.16"	1.68"	—	4.54"	6.17"	1.75"	1.25"
	BC-54100-12-51	3/4" L.H.	3/4"	Ø.75"	1/2"	5.16"	1.68"	—	4.54"	6.17"	1.75"	1.25"
1"	BC-54100-16-50	1" R.H.	1"	Ø1.00"	1/2"	5.96"	2.03"	4.01"	5.21"	7.01"	2.06"	1.25"
	BC-54100-16-51	1" L.H.	1"	Ø1.00"	1/2"	5.96"	2.03"	4.01"	5.21"	7.01"	2.06"	1.25"
	BC-54100-16-60	CF	1"	Ø1.00"	1/2"	6.69"	2.77"	4.75"	5.94"	7.75"	2.06"	1.25"
	BC-54100-16-62	QR	1"	Ø1.00"	1/2"	6.70"	2.78"	4.76"	5.95"	7.76"	2.06"	1.25"
1 1/4"	BC-54100-20-50	1 1/4" R.H.	1 1/4"	Ø1.25"	3/4"	6.99"	1.89"	4.37"	6.68"	8.60"	2.19"	1.78"
	BC-54100-20-51	1 1/4" L.H.	1 1/4"	Ø1.25"	3/4"	6.99"	1.89"	4.37"	6.68"	8.60"	2.19"	1.78"
	BC-54100-20-62	QR	1 1/4"	Ø1.25"	3/4"	8.55"	3.45"	5.93"	8.24"	10.16"	2.19"	1.78"
1 1/2"	BC-54100-24-50	1 1/2" R.H.	1 1/2"	Ø1.50"	3/4"	7.48"	2.12"	4.72"	7.04"	9.03"	2.44"	2.06"
	BC-54100-24-51	1 1/2" L.H.	1 1/2"	Ø1.50"	3/4"	7.48"	2.12"	4.72"	7.04"	9.03"	2.44"	2.06"
	BC-54100-24-60	CF	1 1/2"	Ø1.50"	3/4"	8.89"	3.53"	6.13"	8.45"	10.45"	2.44"	2.06"
	BC-54100-24-62	QR	1 1/2"	Ø1.50"	3/4"	8.89"	3.53"	6.13"	8.45"	10.45"	2.44"	2.06"
2"	BC-54100-32-50	2" R.H.	2"	Ø1.88"	1 1/4"	8.62"	2.19"	5.01"	8.06"	10.63"	2.75"	2.56"
	BC-54100-32-51	2" L.H.	2"	Ø1.88"	1 1/4"	8.62"	2.19"	5.01"	8.06"	10.63"	2.75"	2.56"
	BC-54100-32-60	CF	2"	Ø1.88"	1 1/4"	10.09"	3.66"	6.48"	9.53"	12.10"	2.75"	2.56"
	BC-54100-32-62	QR	2"	Ø1.88"	1 1/4"	9.71"	3.28"	6.10"	9.15"	11.72"	2.75"	2.56"
2 1/2"	BC-54100-40-50	2 1/2" R.H.	2 1/2"	Ø2.25"	1 1/4"	10.14"	2.91"	6.33"	9.76"	12.45"	3.00"	2.50"
	BC-54100-40-51	2 1/2" L.H.	2 1/2"	Ø2.25"	1 1/4"	10.14"	2.91"	6.33"	9.76"	12.45"	3.00"	2.50"
	BC-54100-40-60	CF	2 1/2"	Ø2.25"	1 1/4"	10.09"	3.66"	6.48"	9.53"	12.10"	3.00"	2.50"
	BC-54100-40-62	QR	2 1/2"	Ø2.25"	1 1/4"	10.77"	3.54"	6.96"	10.39"	13.08"	3.00"	2.50"
3"	BC-54100-48-50	3" R.H.	3"	Ø2.88"	1 1/2"	10.86"	3.05"	6.60"	10.67"	13.04"	3.62"	2.88"
	BC-54100-48-51	3" L.H.	3"	Ø2.88"	1 1/2"	10.86"	3.05"	6.60"	10.67"	13.04"	3.62"	2.88"
	BC-54100-48-60	CF	3"	Ø2.88"	1 1/2"	11.35"	3.55"	7.10"	11.16"	13.53"	3.62"	2.88"
	BC-54100-48-62	QR	3"	Ø2.88"	1 1/2"	11.36"	3.55"	7.10"	11.16"	13.54"	3.62"	2.88"



"CF" CONNECTION
BC-54XXX-XX-60

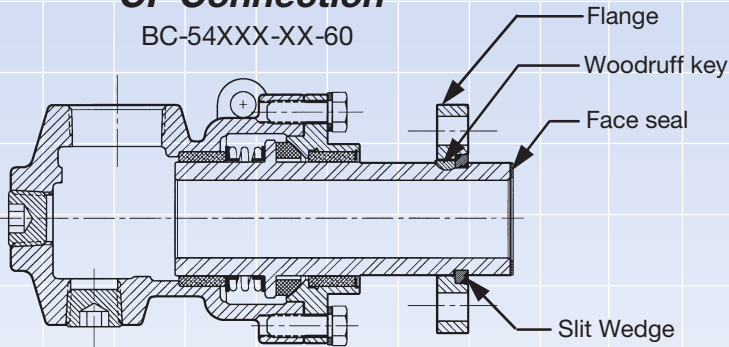


QUICK RELEASE CONNECTION
BC-54XXX-XX-62

ØN	ØP	Torque Rod O.D. Max.	Q	ØR	ØS	ØT	U	4X ØV	W	"X"	Weight	Joint Size
Ø3.00"	—	—	—	—	—	—	—	—	—	.19"	3.5 lbs	1/2"
Ø3.00"	—	—	—	—	—	—	—	—	—	.19"	3.5 lbs	
Ø3.38"	—	—	—	—	—	—	—	—	—	.19"	5 lbs.	3/4"
Ø3.38"	—	—	—	—	—	—	—	—	—	.19"	5 lbs.	
Ø3.62"	Ø.50"	Ø.38"	1.75"	—	—	—	—	—	—	.25"	6 lbs.	1"
Ø3.62"	Ø.50"	Ø.38"	1.75"	—	—	—	—	—	—	.25"	6 lbs.	
Ø3.62"	Ø.50"	Ø.38"	1.75"	Ø3.88"	Ø2.75"	Ø1.399"-1.401"	.75"	Ø.56"	1.092"	.25"	9 lbs.	
Ø3.62"	Ø.50"	Ø.38"	1.75"	Ø5.00"	Ø3.12"	Ø1.276"-1.278"	.56"	Ø.56"	.438"	.25"	9 lbs.	
Ø4.38"	Ø.62"	Ø.50"	2.09"	—	—	—	—	—	—	.25"	13 lbs	1 1/4"
Ø4.38"	Ø.62"	Ø.50"	2.09"	—	—	—	—	—	—	.25"	13 lbs	
Ø4.38"	Ø.62"	Ø.50"	2.09"	Ø5.50"	Ø3.50"	Ø1.620"-1.622"	.62"	Ø.56"	.50"	.25"	18 lbs.	
Ø4.75"	Ø.62"	Ø.50"	2.26"	—	—	—	—	—	—	.25"	15 lbs	1 1/2"
Ø4.75"	Ø.62"	Ø.50"	2.26"	—	—	—	—	—	—	.25"	15 lbs	
Ø4.75"	Ø.62"	Ø.50"	2.26"	Ø4.88"	Ø3.62"	Ø2.091"-2.093"	.75"	Ø.69"	1.092"	.25"	19 lbs	
Ø4.75"	Ø.62"	Ø.50"	2.26"	Ø5.50"	Ø3.88"	Ø1.872"-1.870"	.69"	Ø.56"	.50"	.25"	19 lbs.	
Ø6.00"	Ø.62"	Ø.50"	2.76"	—	—	—	—	—	—	.31"	26 lbs	2"
Ø6.00"	Ø.62"	Ø.50"	2.76"	—	—	—	—	—	—	.31"	26 lbs	
Ø6.00"	Ø.62"	Ø.50"	2.76"	Ø5.50"	Ø4.25"	Ø2.714"-2.716"	.75"	Ø.69"	1.092"	.31"	31 lbs	
Ø6.00"	Ø.62"	Ø.50"	2.76"	Ø6.81"	Ø4.75"	Ø2.318"-2.320"	.75"	Ø.56"	.625"	.31"	34 lbs.	
Ø6.75"	Ø.75"	Ø.62"	3.06"	—	—	—	—	—	—	.25"	33 lbs.	2 1/2"
Ø6.75"	Ø.75"	Ø.62"	3.06"	—	—	—	—	—	—	.25"	33 lbs.	
Ø6.75"	Ø.75"	Ø.62"	3.06"	Ø5.88"	Ø4.62"	Ø3.089"-3.091"	.75"	Ø.75"	1.092"	.25"	40 lbs	
Ø6.75"	Ø.75"	Ø.62"	3.06"	Ø6.75"	Ø4.75"	Ø2.838"-2.840"	.88"	Ø.56"	.75"	.25"	42 lbs.	
Ø7.88"	Ø.94"	Ø.75"	3.62"	—	—	—	—	—	—	.25"	45 lbs.	3"
Ø7.88"	Ø.94"	Ø.75"	3.62"	—	—	—	—	—	—	.25"	45 lbs.	
Ø7.88"	Ø.94"	Ø.75"	3.62"	Ø6.50"	Ø5.25"	Ø3.714"-3.716"	.75"	Ø.69"	1.092"	.25"	50 lbs	
Ø7.88"	Ø.94"	Ø.75"	3.62"	Ø8.00"	Ø6.75"	Ø3.430"-3.732"	.94"	Ø.69"	.88"	.25"	57 lbs.	

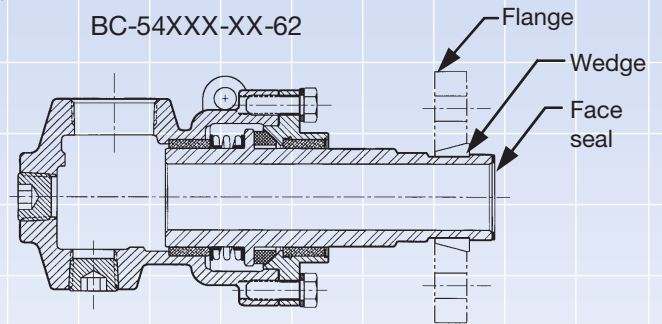
CF Connection

BC-54XXX-XX-60



Quick Release Connection

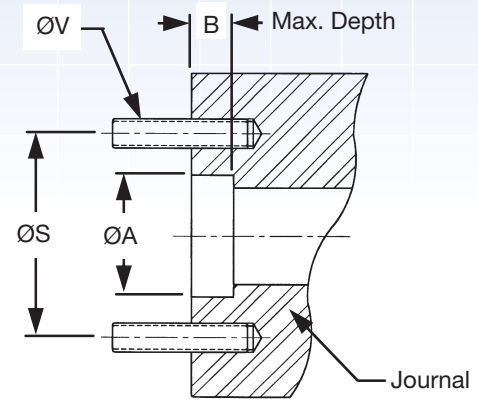
BC-54XXX-XX-62



Journal Dimensions

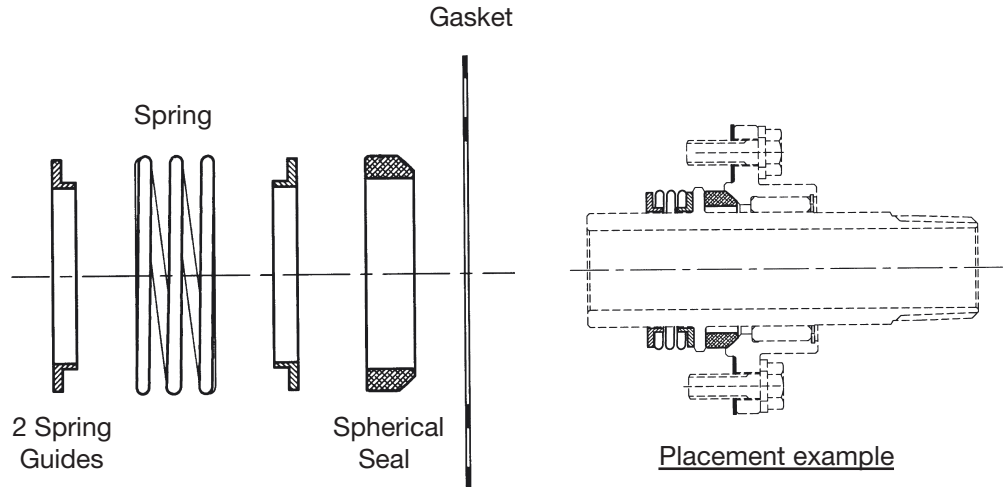
Joint size	CF Connection		Quick Release Connection	
	ØA	B	ØA	B
1"	Ø1.408"-1.406"	1.052"	Ø1.283"-1.279"	.312"
1 1/2"	Ø2.099"-2.096"	1.052"	Ø1.877"-1.873"	.375"
2"	Ø2.724"-2.721"	1.052"	Ø2.325"-2.321"	.500"
2 1/2"	Ø3.099"-3.096"	1.052"	Ø2.845"-2.841"	.625"
3"	Ø3.724"-3.721"	1.052"	Ø3.439"-3.435"	.875"

Quick Release Flanges and split wedges are available. Contact DEUBLIN for more information.



Repair Kits

Joint Size	Part Number
1/2"	10-27274-00
3/4"	10-27275-00
1"	10-27276-00
1 1/4"	10-27277-00
1 1/2"	10-27278-00
2"	10-27279-00
2 1/2"	10-27280-00
3"	10-27281-00



DEUBLIN Company
2050 Norman Drive
Waukegan, IL 60085-6747 U.S.A.
Phone: +1 847 689-8600
Fax: +1 847 689-8690
E-Mail: customerservice@deublin.com

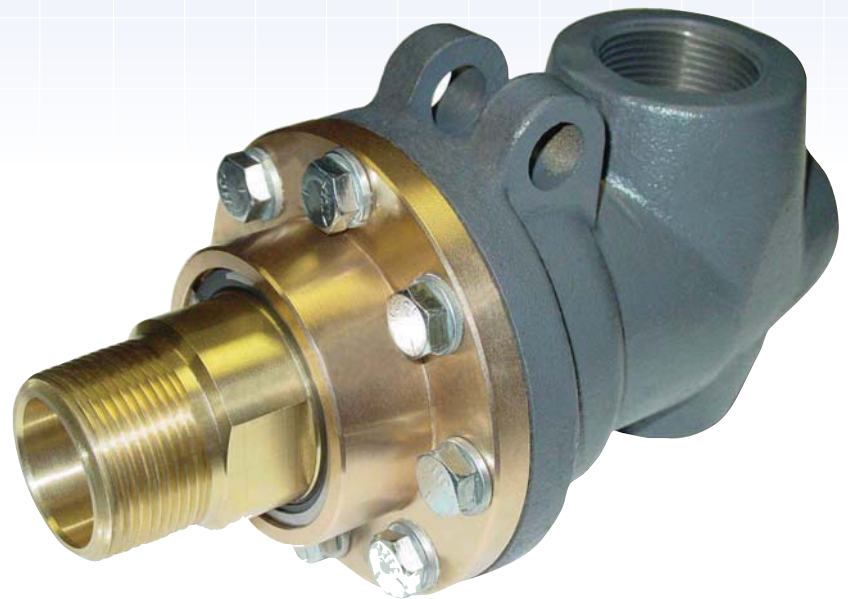
Water & Steam Duoflow Fixed Siphon

Catalog C2003
Water & Low Pressure Steam Duoflow Fixed Siphon

BC-54065 SERIES

Special Design Features

- **Two widely spaced Carbon Bearings provides greater support to the siphon pipe and hoses.**
- **Carbon Seal placed under compression add strength and shock resistance. Joints lasts longer.**
- **External seal wear indicator allows for planned maintenance reducing expensive downtime.**
- **All metal wear parts are bronze for excellent corrosion resistance.**



Sizes 1/2" to 3"

Type "CS" Bronze Trim Rotary Joints are ideal for a wide range of applications using low pressure steam & water. These joints feature an iron casing, bronze sleeve and end cap, stainless steel spring and spring guides.

The high density carbon seal under compression and widely spaced bearing surfaces assure exceptionally long service life without lubrication. A key maintenance feature is the external seal wear indicator.

Operating Parameters:

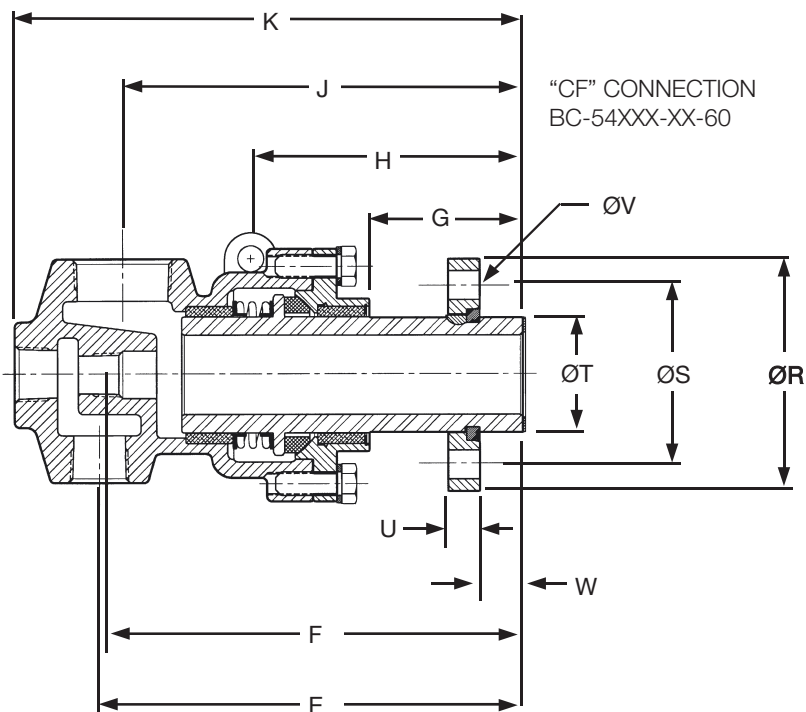
Temperature:	+353°F (+178°C)
Pressure Rating:	
Steam	125 psi (8.6 BAR)
Water	300 psi (20.6 BAR)

Engineered for Performance

TYPE "C" & "CF"

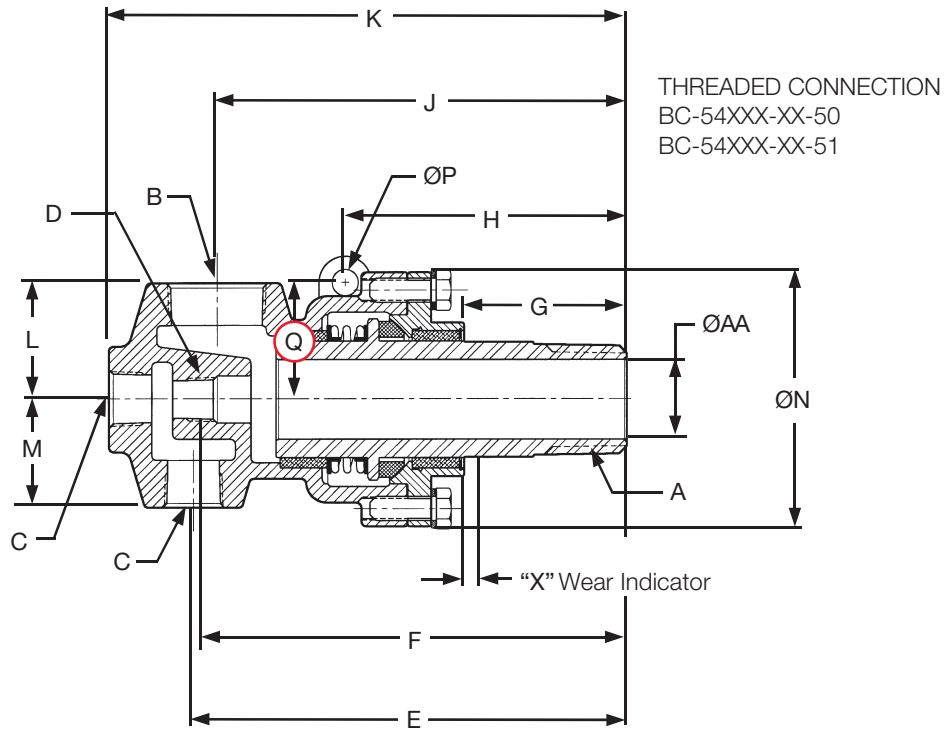


Bronze Trim Construction
 Bronze sleeve and end cap, with iron casing for water, brine and low pressure steam.
 Steam - 125 psi (8.6 BAR)
 Water - 300 psi (20.6 BAR)



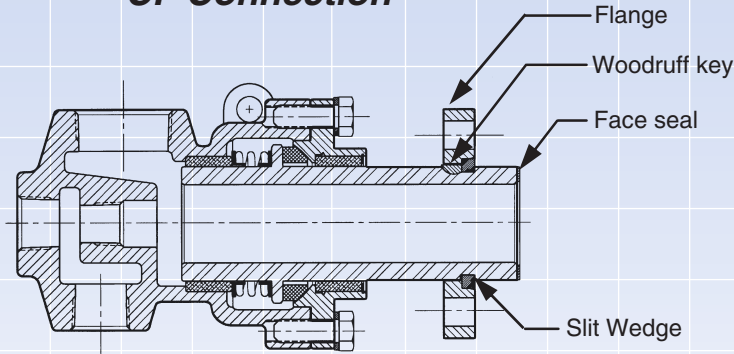
For BSPT threads:
 Add a "B" to the end of the part number.
 Example: BC-54065-08-50B

Joint Size	Bronze Trim Part Number	A NPT	B NPT	øAA	C NPT	D Siphon Thread NPT	D Siphon Thd With Bushing	E	F	G	H	J	K
1/2"	BC-54065-08-50	1/2" R.H.	1/2"	Ø.50"	1/4"	1/8"	—	5.37"	5.06"	1.73"	—	4.54"	5.87"
	BC-54065-08-51	1/2" L.H.	1/2"	Ø.50"	1/4"	1/8"	—	5.37"	5.06"	1.73"	—	4.54"	5.87"
3/4"	BC-54065-12-50	3/4" R.H.	3/4"	Ø.75"	1/2"	1/4"	1/8"	5.16"	5.25"	1.68"	—	4.54"	6.17"
	BC-54065-12-51	3/4" L.H.	3/4"	Ø.75"	1/2"	1/4"	1/8"	5.16"	5.25"	1.68"	—	4.54"	6.17"
1"	BC-54065-16-50	1" R.H.	1"	Ø1.00"	1/2"	3/8"	1/4"	5.96"	6.04"	2.03"	4.01"	5.21"	7.01"
	BC-54065-16-51	1" L.H.	1"	Ø1.00"	1/2"	3/8"	1/4"	5.96"	6.04"	2.03"	4.01"	5.21"	7.01"
	BC-54065-16-60	CF	1"	Ø1.00"	1/2"	3/8"	1/4"	6.69"	6.78"	2.77"	4.75"	5.94"	7.75"
1 1/4"	BC-54065-20-50	1 1/4" R.H.	1 1/4"	Ø1.25"	3/4"	1/2"	3/8"	6.99"	7.25"	1.89"	4.37"	6.68"	8.60"
	BC-54065-20-51	1 1/4" L.H.	1 1/4"	Ø1.25"	3/4"	1/2"	3/8"	6.99"	7.25"	1.89"	4.37"	6.68"	8.60"
1 1/2"	BC-54065-24-50	1 1/2" R.H.	1 1/2"	Ø1.50"	3/4"	3/4"	1/2"	7.48"	7.53"	2.12"	4.72"	7.04"	9.03"
	BC-54065-24-51	1 1/2" L.H.	1 1/2"	Ø1.50"	3/4"	3/4"	1/2"	7.48"	7.53"	2.12"	4.72"	7.04"	9.03"
	BC-54065-24-60	CF	1 1/2"	Ø1.50"	3/4"	3/4"	1/2"	8.89"	8.94"	3.53"	6.13"	8.45"	10.45"
2"	BC-54065-32-50	2" R.H.	2"	Ø1.88"	1 1/4"	3/4"	1/2"	8.62"	8.62"	2.19"	5.01"	8.06"	10.63"
	BC-54065-32-51	2" L.H.	2"	Ø1.88"	1 1/4"	3/4"	1/2"	8.62"	8.62"	2.19"	5.01"	8.06"	10.63"
	BC-54065-32-60	CF	2"	Ø1.88"	1 1/4"	3/4"	1/2"	10.09"	10.08"	3.66"	6.48"	9.53"	12.10"
2 1/2"	BC-54065-40-50	2 1/2" R.H.	2 1/2"	Ø2.25"	1 1/4"	1"	3/4"	10.14"	10.24"	2.91"	6.33"	9.76"	12.45"
	BC-54065-40-51	2 1/2" L.H.	2 1/2"	Ø2.25"	1 1/4"	1"	3/4"	10.14"	10.24"	2.91"	6.33"	9.76"	12.45"
	BC-54065-40-60	CF	2 1/2"	Ø2.25"	1 1/4"	1"	3/4"	10.09"	10.56"	3.66"	6.48"	9.53"	12.10"
3"	BC-54065-48-50	3" R.H.	3"	Ø2.88"	1 1/2"	1 1/2"	1"	10.86"	11.03"	3.05"	6.60"	10.67"	13.04"
	BC-54065-48-51	3" L.H.	3"	Ø2.88"	1 1/2"	1 1/2"	1"	10.86"	11.03"	3.05"	6.60"	10.67"	13.04"
	BC-54065-48-60	CF	3"	Ø2.88"	1 1/2"	1 1/2"	1"	11.35"	11.53"	3.55"	7.10"	11.16"	13.53"



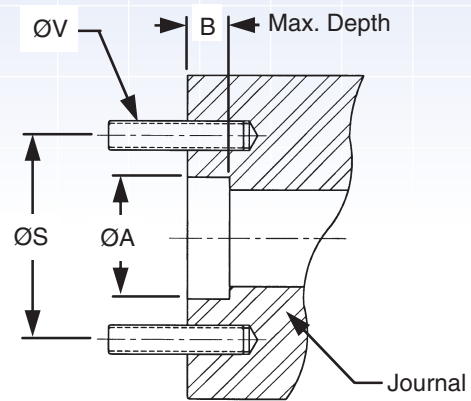
L	M	ØN	ØP	Torque Rod O.D. Max.	Q	ØR	ØS	ØT	U	4X ØV	W	“X”	Weight	Joint Size
1.62"	1.16"	Ø3.00"	—	—	—	—	—	—	—	—	—	.19"	3.5 lbs	1/2"
1.62"	1.16"	Ø3.00"	—	—	—	—	—	—	—	—	—	.19"	3.5 lbs	
1.75"	1.25"	Ø3.38"	—	—	—	—	—	—	—	—	—	.19"	5 lbs.	3/4"
1.75"	1.25"	Ø3.38"	—	—	—	—	—	—	—	—	—	.19"	5 lbs.	
2.06"	1.25"	Ø3.62"	Ø.50"	Ø.38"	1.75"	—	—	—	—	—	—	.25"	6 lbs.	1"
2.06"	1.25"	Ø3.62"	Ø.50"	Ø.38"	1.75"	—	—	—	—	—	—	.25"	6 lbs.	
2.06"	1.25"	Ø3.62"	Ø.50"	Ø.38"	1.75"	Ø3.88"	Ø2.75"	Ø1.399"-1.401"	.75"	Ø.56"	1.092"	.25"	9 lbs.	
2.19"	1.78"	Ø4.38"	Ø.62"	Ø.50"	2.09"	—	—	—	—	—	—	.25"	13 lbs	1 1/4"
2.19"	1.78"	Ø4.38"	Ø.62"	Ø.50"	2.09"	—	—	—	—	—	—	.25"	13 lbs	
2.44"	2.06"	Ø4.75"	Ø.62"	Ø.50"	2.26"	—	—	—	—	—	—	.25"	15 lbs	1 1/2"
2.44"	2.06"	Ø4.75"	Ø.62"	Ø.50"	2.26"	—	—	—	—	—	—	.25"	15 lbs	
2.44"	2.06"	Ø4.75"	Ø.62"	Ø.50"	2.26"	Ø4.88"	Ø3.62"	Ø2.091"-2.093"	.75"	Ø.69"	1.092"	.25"	19 lbs	
2.75"	2.56"	Ø6.00"	Ø.62"	Ø.50"	2.76"	—	—	—	—	—	—	.31"	26 lbs	2"
2.75"	2.56"	Ø6.00"	Ø.62"	Ø.50"	2.76"	—	—	—	—	—	—	.31"	26 lbs	
2.75"	2.56"	Ø6.00"	Ø.62"	Ø.50"	2.76"	Ø5.50"	Ø4.25"	Ø2.714"-2.716"	.75"	Ø.69"	1.092"	.31"	31 lbs	
3.00"	2.50"	Ø6.75"	Ø.75"	Ø.62"	3.06"	—	—	—	—	—	—	.25"	33 lbs.	2 1/2"
3.00"	2.50"	Ø6.75"	Ø.75"	Ø.62"	3.06"	—	—	—	—	—	—	.25"	33 lbs.	
3.00"	2.50"	Ø6.75"	Ø.75"	Ø.62"	3.06"	Ø5.88"	Ø4.62"	Ø3.089"-3.091"	.75"	Ø.75"	1.092"	.25"	40 lbs	
3.62"	2.88"	Ø7.88"	Ø.94"	Ø.75"	3.62"	—	—	—	—	—	—	.25"	45 lbs.	3"
3.62"	2.88"	Ø7.88"	Ø.94"	Ø.75"	3.62"	—	—	—	—	—	—	.25"	45 lbs.	
3.62"	2.88"	Ø7.88"	Ø.94"	Ø.75"	3.62"	Ø6.50"	Ø5.25"	Ø3.714"-3.716"	.75"	Ø.69"	1.092"	.25"	50 lbs	

CF Connection



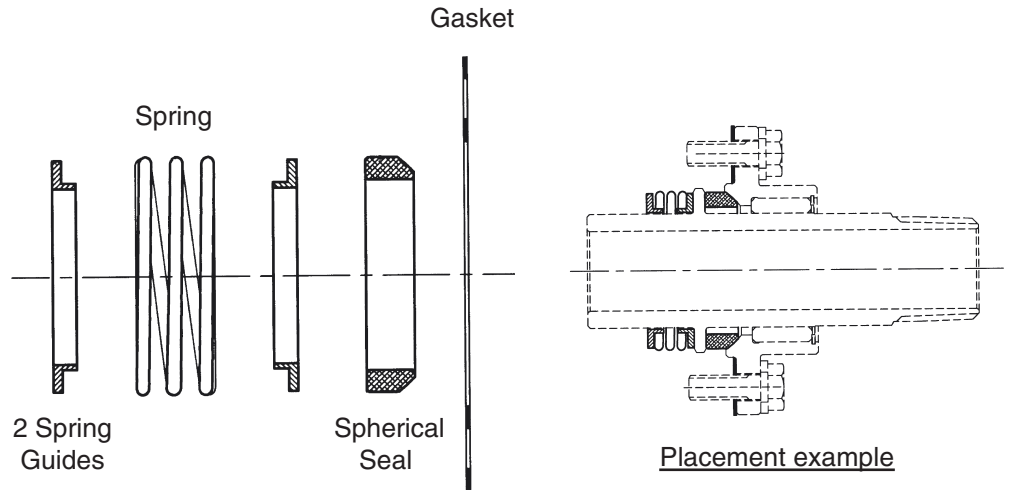
Journal Dimensions

Joint size	CF Connection	
	ØA	B
1"	Ø1.408"-1.406"	1.052"
1 1/2"	Ø2.099"-2.096"	1.052"
2"	Ø2.724"-2.721"	1.052"
2 1/2"	Ø3.099"-3.096"	1.052"
3"	Ø3.724"-3.721"	1.052"



Repair Kits

Joint Size	Part Number
1/2"	10-27274-00
3/4"	10-27275-00
1"	10-27276-00
1 1/4"	10-27277-00
1 1/2"	10-27278-00
2"	10-27279-00
2 1/2"	10-27280-00
3"	10-27281-00



DEUBLIN Company
2050 Norman Drive
Waukegan, IL 60085-6747 U.S.A.
Phone: +1 847 689-8600
Fax: +1 847 689-8690
E-Mail: customerservice@deublin.com

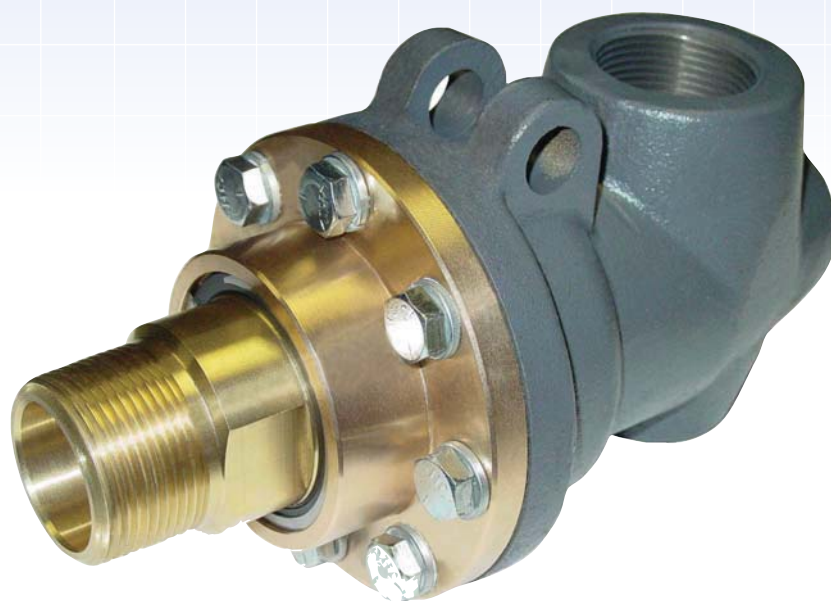
Water & Steam Monoflow

Catalog C2004
Water & Low Pressure Steam Monoflow

BC-54165 SERIES

Special Design Features

- **Two widely spaced Carbon Bearings provides greater support to the siphon pipe and hoses.**
- **Carbon Seal placed under compression add strength and shock resistance. Joints lasts longer.**
- **External seal wear indicator allows for planned maintenance reducing expensive downtime.**
- **All metal wear parts are bronze for excellent corrosion resistance.**



Sizes 1/2" to 3"

Type "CS" Bronze Trim Rotary Joints are ideal for a wide range of applications using low pressure steam & water. These joints feature an iron casing, bronze sleeve and end cap, stainless steel spring and spring guides.

The high density carbon seal under compression and widely spaced bearing surfaces assure exceptionally long service life without lubrication. A key maintenance feature is the external seal wear indicator.

Operating Parameters:

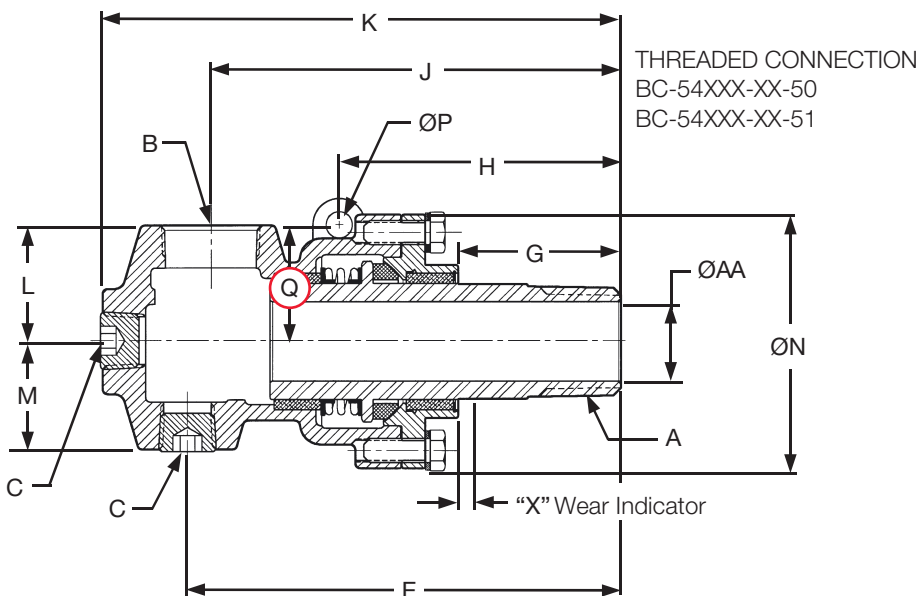
Temperature:	+353°F (+178°C)
Pressure Rating:	
Steam	125 psi (8.6 BAR)
Water	300 psi (20.6 BAR)

Engineered for Performance

TYPE "CS" & "CSF"



Bronze Trim Construction
 Bronze sleeve and end cap, with casing for water, brine and low pressure steam.
 Steam - 125 psi (8.6 BAR)
 Water - 300 psi (20.6 BAR)

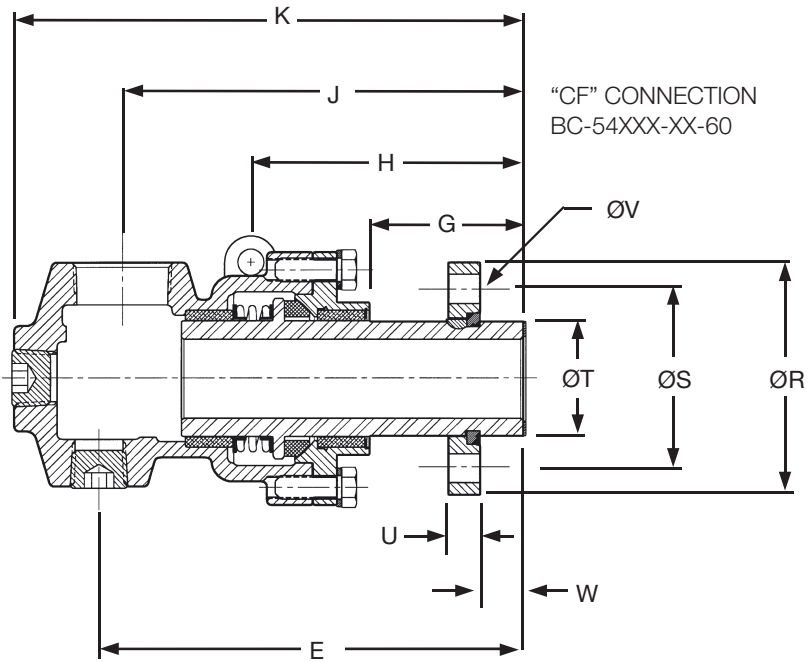


For BSPT threads:

Add a "B" to the end of the part number.

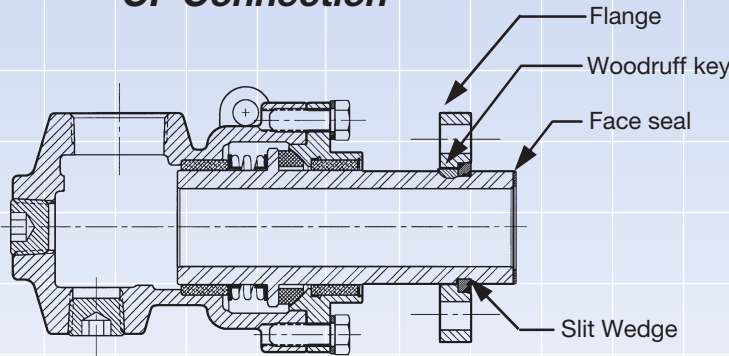
Example: BC-54165-08-50B

Joint Size	Bronze Trim Part Number	A NPT	B NPT	øAA	C NPT	E	G	H	J	K	L	M
1/2"	BC-54165-08-50	1/2" R.H.	1/2"	Ø.50"	1/4"	5.37"	1.73"	—	4.54"	5.87"	1.62"	1.16"
	BC-54165-08-51	1/2" L.H.	1/2"	Ø.50"	1/4"	5.37"	1.73"	—	4.54"	5.87"	1.62"	1.16"
3/4"	BC-54165-12-50	3/4" R.H.	3/4"	Ø.75"	1/2"	5.16"	1.68"	—	4.54"	6.17"	1.75"	1.25"
	BC-54165-12-51	3/4" L.H.	3/4"	Ø.75"	1/2"	5.16"	1.68"	—	4.54"	6.17"	1.75"	1.25"
1"	BC-54165-16-50	1" R.H.	1"	Ø1.00"	1/2"	5.96"	2.03"	4.01"	5.21"	7.01"	2.06"	1.25"
	BC-54165-16-51	1" L.H.	1"	Ø1.00"	1/2"	5.96"	2.03"	4.01"	5.21"	7.01"	2.06"	1.25"
	BC-54165-16-60	CF	1"	Ø1.00"	1/2"	6.69"	2.77"	4.75"	5.94"	7.75"	2.06"	1.25"
1 1/4"	BC-54165-20-50	1 1/4" R.H.	1 1/4"	Ø1.25"	3/4"	6.99"	1.89"	4.37"	6.68"	8.60"	2.19"	1.78"
	BC-54165-20-51	1 1/4" L.H.	1 1/4"	Ø1.25"	3/4"	6.99"	1.89"	4.37"	6.68"	8.60"	2.19"	1.78"
1 1/2"	BC-54165-24-50	1 1/2" R.H.	1 1/2"	Ø1.50"	3/4"	7.48"	2.12"	4.72"	7.04"	9.03"	2.44"	2.06"
	BC-54165-24-51	1 1/2" L.H.	1 1/2"	Ø1.50"	3/4"	7.48"	2.12"	4.72"	7.04"	9.03"	2.44"	2.06"
	BC-54165-24-60	CF	1 1/2"	Ø1.50"	3/4"	8.89"	3.53"	6.13"	8.45"	10.45"	2.44"	2.06"
2"	BC-54165-32-50	2" R.H.	2"	Ø1.88"	1 1/4"	8.62"	2.19"	5.01"	8.06"	10.63"	2.75"	2.56"
	BC-54165-32-51	2" L.H.	2"	Ø1.88"	1 1/4"	8.62"	2.19"	5.01"	8.06"	10.63"	2.75"	2.56"
	BC-54165-32-60	CF	2"	Ø1.88"	1 1/4"	10.09"	3.66"	6.48"	9.53"	12.10"	2.75"	2.56"
2 1/2"	BC-54165-40-50	2 1/2" R.H.	2 1/2"	Ø2.25"	1 1/4"	10.14"	2.91"	6.33"	9.76"	12.45"	3.00"	2.50"
	BC-54165-40-51	2 1/2" L.H.	2 1/2"	Ø2.25"	1 1/4"	10.14"	2.91"	6.33"	9.76"	12.45"	3.00"	2.50"
	BC-54165-40-60	CF	2 1/2"	Ø2.25"	1 1/4"	10.09"	3.66"	6.48"	9.53"	12.10"	3.00"	2.50"
3"	BC-54165-48-50	3" R.H.	3"	Ø2.88"	1 1/2"	10.86"	3.05"	6.60"	10.67"	13.04"	3.62"	2.88"
	BC-54165-48-51	3" L.H.	3"	Ø2.88"	1 1/2"	10.86"	3.05"	6.60"	10.67"	13.04"	3.62"	2.88"
	BC-54165-48-60	CF	3"	Ø2.88"	1 1/2"	11.35"	3.55"	7.10"	11.16"	13.53"	3.62"	2.88"



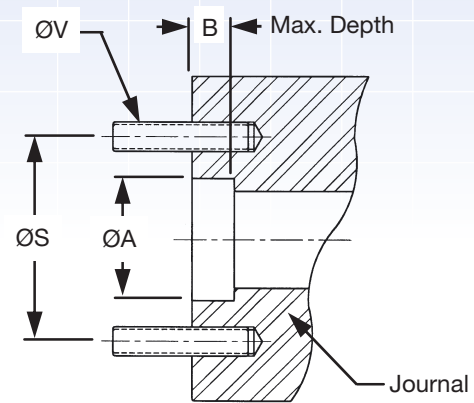
ØN	ØP	Torque Rod O.D. Max.	Q	ØR	ØS	ØT	U	4X ØV	W	"X"	Weight	Joint Size
Ø3.00"	—	—	—	—	—	—	—	—	—	.19"	3.5 lbs	1/2"
Ø3.00"	—	—	—	—	—	—	—	—	—	.19"	3.5 lbs	
Ø3.38"	—	—	—	—	—	—	—	—	—	.19"	5 lbs.	3/4"
Ø3.38"	—	—	—	—	—	—	—	—	—	.19"	5 lbs.	
Ø3.62"	Ø.50"	Ø.38"	1.75"	—	—	—	—	—	—	.25"	6 lbs.	1"
Ø3.62"	Ø.50"	Ø.38"	1.75"	—	—	—	—	—	—	.25"	6 lbs.	
Ø3.62"	Ø.50"	Ø.38"	1.75"	Ø3.88"	Ø2.75"	Ø1.399"-1.401"	.75"	Ø.56"	1.092"	.25"	9 lbs.	
Ø4.38"	Ø.62"	Ø.50"	2.09"	—	—	—	—	—	—	.25"	13 lbs	1 1/4"
Ø4.38"	Ø.62"	Ø.50"	2.09"	—	—	—	—	—	—	.25"	13 lbs	
Ø4.75"	Ø.62"	Ø.50"	2.26"	—	—	—	—	—	—	.25"	15 lbs	1 1/2"
Ø4.75"	Ø.62"	Ø.50"	2.26"	—	—	—	—	—	—	.25"	15 lbs	
Ø4.75"	Ø.62"	Ø.50"	2.26"	Ø4.88"	Ø3.62"	Ø2.091"-2.093"	.75"	Ø.69"	1.092"	.25"	19 lbs	
Ø6.00"	Ø.62"	Ø.50"	2.76"	—	—	—	—	—	—	.31"	26 lbs	2"
Ø6.00"	Ø.62"	Ø.50"	2.76"	—	—	—	—	—	—	.31"	26 lbs	
Ø6.00"	Ø.62"	Ø.50"	2.76"	Ø5.50"	Ø4.25"	Ø2.714"-2.716"	.75"	Ø.69"	1.092"	.31"	31 lbs	
Ø6.75"	Ø.75"	Ø.62"	3.06"	—	—	—	—	—	—	.25"	33 lbs.	2 1/2"
Ø6.75"	Ø.75"	Ø.62"	3.06"	—	—	—	—	—	—	.25"	33 lbs.	
Ø6.75"	Ø.75"	Ø.62"	3.06"	Ø5.88"	Ø4.62"	Ø3.089"-3.091"	.75"	Ø.75"	1.092"	.25"	40 lbs	
Ø7.88"	Ø.94"	Ø.75"	3.62"	—	—	—	—	—	—	.25"	45 lbs.	3"
Ø7.88"	Ø.94"	Ø.75"	3.62"	—	—	—	—	—	—	.25"	45 lbs.	
Ø7.88"	Ø.94"	Ø.75"	3.62"	Ø6.50"	Ø5.25"	Ø3.714"-3.716"	.75"	Ø.69"	1.092"	.25"	50 lbs	

CF Connection



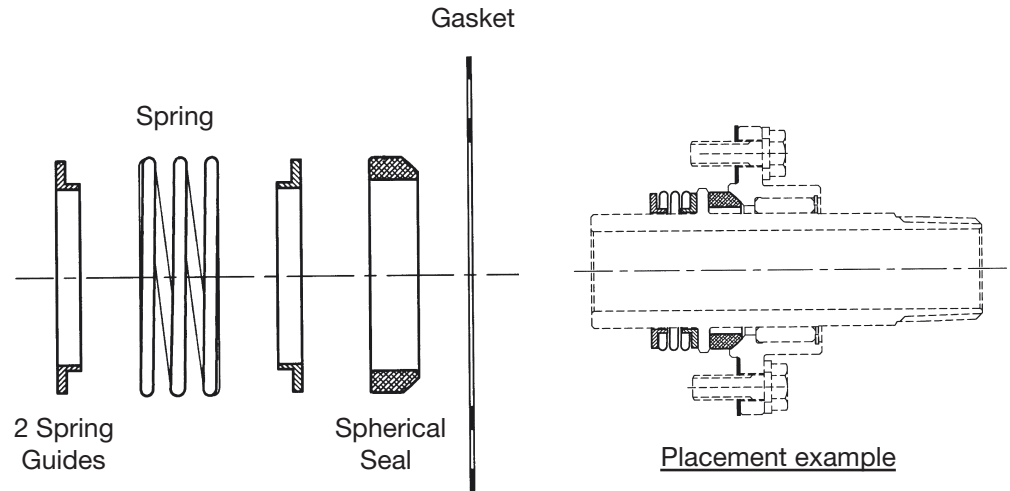
Journal Dimensions

Joint size	CF Connection	
	ØA	B
1"	Ø1.408"-1.406"	1.052"
1 1/2"	Ø2.099"-2.096"	1.052"
2"	Ø2.724"-2.721"	1.052"
2 1/2"	Ø3.099"-3.096"	1.052"
3"	Ø3.724"-3.721"	1.052"



Repair Kits

Joint Size	Part Number
1/2"	10-27274-00
3/4"	10-27275-00
1"	10-27276-00
1 1/4"	10-27277-00
1 1/2"	10-27278-00
2"	10-27279-00
2 1/2"	10-27280-00
3"	10-27281-00



DEUBLIN Company
2050 Norman Drive
Waukegan, IL 60085-6747 U.S.A.

Phone: +1 847 689-8600

Fax: +1 847 689-8690

E-Mail: customerservice@deublin.com

Duoflow Rotating Siphon

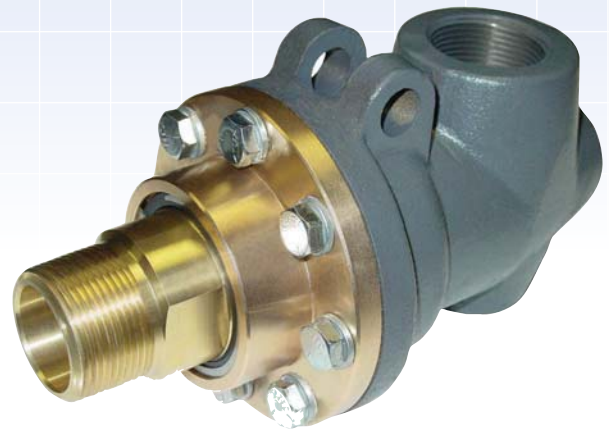
Catalog C2005
Water, Steam & Hot Oil Duoflow Rotating Siphon

BC-54205 & BC-54206 SERIES

Special Design Features

- **Two widely spaced Carbon Bearings provides greater support to the siphon pipe and hoses.**
- **Carbon Seal placed under compression add strength and shock resistance. Joints lasts longer.**
- **External seal wear indicator allows for planned maintenance reducing expensive downtime.**

The DEUBLIN Type "CR" (threaded) and "CRF" Rotary Joints are designed to be used with rotating siphon in water or other circulation service. the rotating siphon pipe is retained by a special bearing (in place of threaded stationary siphon connection), which is independent of the seal. When used in circulating liquid services with relatively equal pressure in both inlet and outlet passages, a small amount of "cross circuit" leakage between the passages must be permissible. Siphon pipes are not furnished, but must be machined to dimensions given in the table supplied. Pressure and temperature ratings are equivalent to those given for Type "C" and "CF" rotary joints.



Bronze Trim
Sizes 1/2" to 3"



Ferrous Trim
Sizes 1/2" to 3"

Engineered for Performance

TYPE "CR" & "CRF"



Bronze Trim Construction
Bronze sleeve and end cap,
with casing for water, brine
and low pressure steam.
Steam - 125 psi (8.6 BAR)
Water - 300 psi (20.6 BAR)



Ferrous Trim Construction
Recommended for higher
pressure steam to 250 psi
(17.2 BAR).



Hot Oil Construction
Recommended for Hot Oil
services rated at 100 psi
(6.8 BAR) & +446 °F.

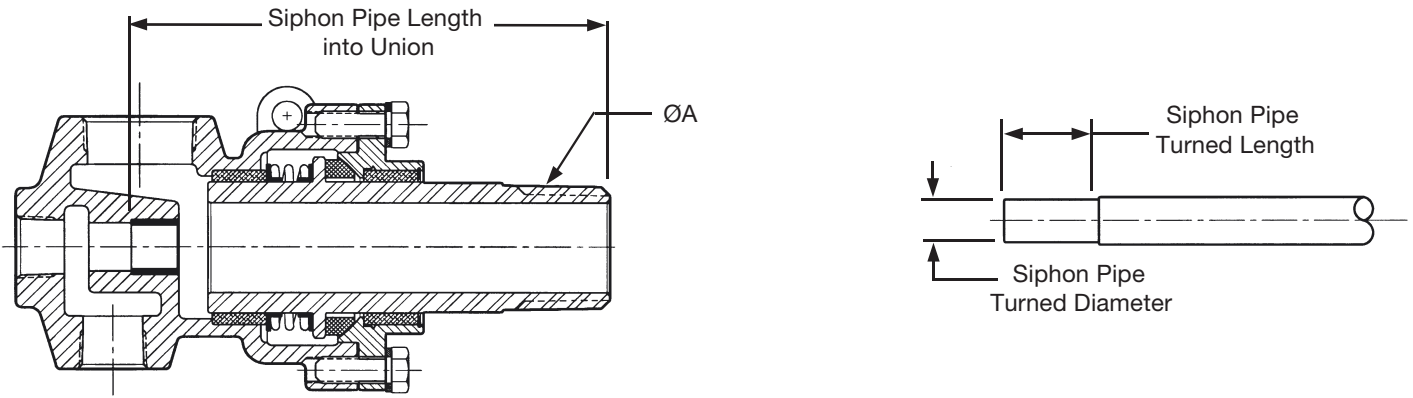
For BSPT threads:

Add a "B" to the end of the part number.

Example: BC-54205-08-50B

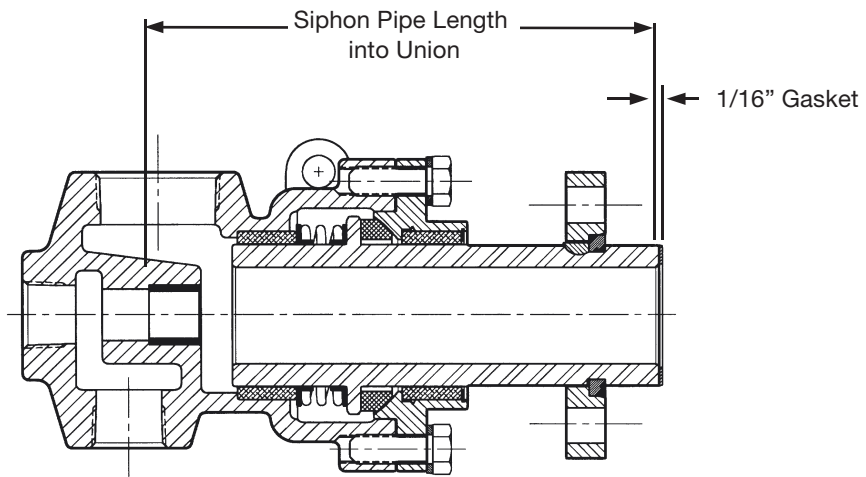
Joint Size	Ferrous Trim Part Number	Bronze Trim Part Number	Hot Oil Part Number	A NPT	Siphon Pipe Size	Siphon Pipe Turned Dimension	Siphon Pipe Turned Length	Siphon Pipe Length into Union
1/2"	BC-54205-08-50	BC-54206-08-50	BC-54205-08-20	1/2" R.H.	1/8"	Ø.371-.372"	1.125"	5.13"
	BC-54205-08-51	BC-54206-08-51	BC-54205-08-21	1/2" L.H.	1/8"	Ø.371-.372"	1.125"	5.13"
3/4"	BC-54205-12-50	BC-54206-12-50	BC-54205-12-20	3/4" R.H.	1/4"	Ø.496-.497"	1.125"	5.07"
	BC-54205-12-51	BC-54206-12-51	BC-54205-12-21	3/4" L.H.	1/4"	Ø.496-.497"	1.125"	5.07"
1"	BC-54205-16-50	BC-54206-16-50	BC-54205-16-20	1" R.H.	3/8"	Ø.621-.622"	1.250"	6.08"
	BC-54205-16-51	BC-54206-16-51	BC-54205-16-21	1" L.H.	3/8"	Ø.621-.622"	1.250"	6.08"
	BC-54205-16-60	BC-54206-16-60	BC-54205-16-30	CF	3/8"	Ø.621-.622"	1.250"	6.82"
	BC-54205-16-62	not available	BC-54205-16-32	QR	3/8"	Ø.621-.622"	1.250"	6.83"
1 1/4"	BC-54205-20-50	BC-54206-20-50	BC-54205-20-20	1 1/4" R.H.	1/2"	Ø.808-.810"	1.500"	7.47"
	BC-54205-20-51	BC-54206-20-51	BC-54205-20-21	1 1/4" L.H.	1/2"	Ø.808-.810"	1.500"	7.47"
	BC-54205-20-62	not available	BC-54205-20-32	QR	1/2"	Ø.808-.810"	1.500"	8.59"
1 1/2"	BC-54205-24-50	BC-54206-24-50	BC-54205-24-20	1 1/2" R.H.	3/4"	Ø.995-.997"	1.500"	7.47"
	BC-54205-24-51	BC-54206-24-51	BC-54205-24-21	1 1/2" L.H.	3/4"	Ø.995-.997"	1.500"	7.47"
	BC-54205-24-60	BC-54206-24-60	BC-54205-24-30	CF	3/4"	Ø.995-.997"	1.500"	8.88"
	BC-54205-24-62	not available	BC-54205-24-32	QR	3/4"	Ø.995-.997"	1.500"	8.89"
2"	BC-54205-32-50	BC-54206-32-50	BC-54205-32-20	2" R.H.	1"	Ø1.245-1.247"	2.000"	8.37"
	BC-54205-32-51	BC-54206-32-51	BC-54205-32-21	2" L.H.	1"	Ø1.245-1.247"	2.000"	8.37"
	BC-54205-32-60	BC-54206-32-60	BC-54205-32-30	CF	1"	Ø1.245-1.247"	2.000"	9.83"
	BC-54205-32-62	not available	BC-54205-32-32	QR	1"	Ø1.245-1.247"	2.000"	9.46"
2 1/2"	BC-54205-40-50	BC-54206-40-50	BC-54205-40-20	2 1/2" R.H.	1 1/4"	Ø1.495-1.497"	2.250"	10.02"
	BC-54205-40-51	BC-54206-40-51	BC-54205-40-21	2 1/2" L.H.	1 1/4"	Ø1.495-1.497"	2.250"	10.02"
	BC-54205-40-60	BC-54206-40-60	BC-54205-40-30	CF	1 1/4"	Ø1.495-1.497"	2.250"	10.64"
	BC-54205-40-62	not available	BC-54205-40-32	QR	1 1/4"	Ø1.495-1.497"	2.250"	10.64"
3"	BC-54205-48-50	BC-54206-48-50	BC-54205-48-20	3" R.H.	1 1/2"	Ø1.745-1.747"	2.250"	11.03"
	BC-54205-48-51	BC-54206-48-51	BC-54205-48-21	3" L.H.	1 1/2"	Ø1.745-1.747"	2.250"	11.03"
	BC-54205-48-60	BC-54206-48-60	BC-54205-48-30	CF	1 1/2"	Ø1.745-1.747"	2.250"	11.54"
	BC-54205-48-62	not available	BC-54205-48-32	QR	1 1/2"	Ø1.745-1.747"	2.250"	11.54"

Threaded End & Siphon Pipe



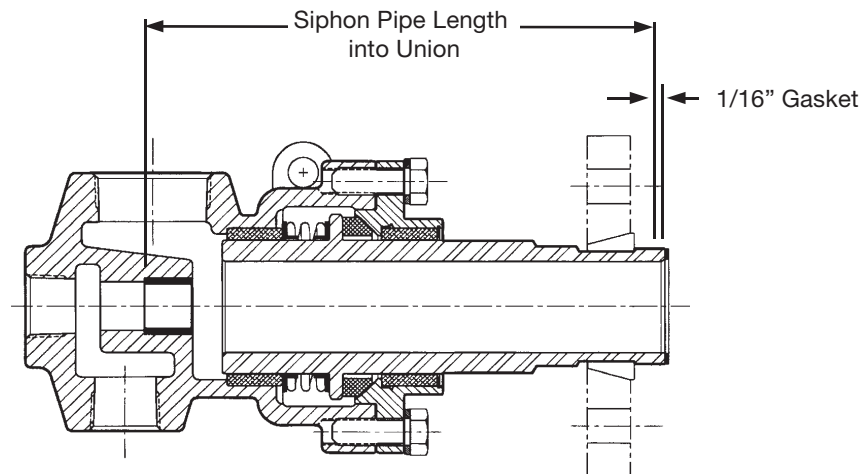
CF Connection

Ferrous & Bronze Trim
1" & 1 1/2" - 3"

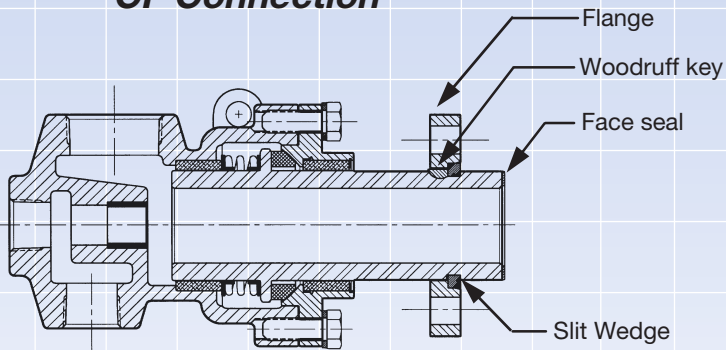


Quick Release Connection

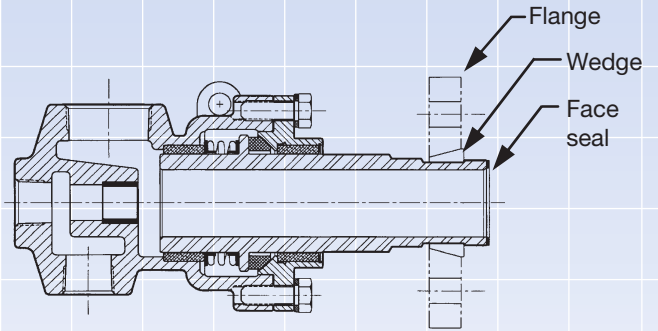
Ferrous Trim Only
1" - 3"



CF Connection

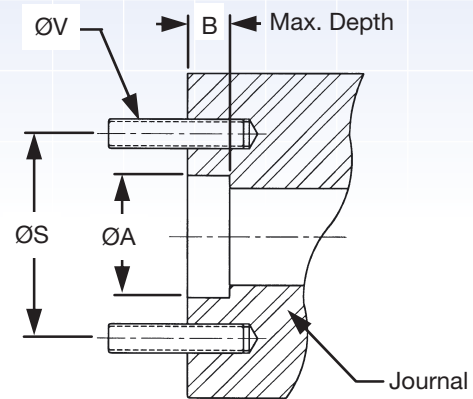


Quick Release Connection



Journal Dimensions

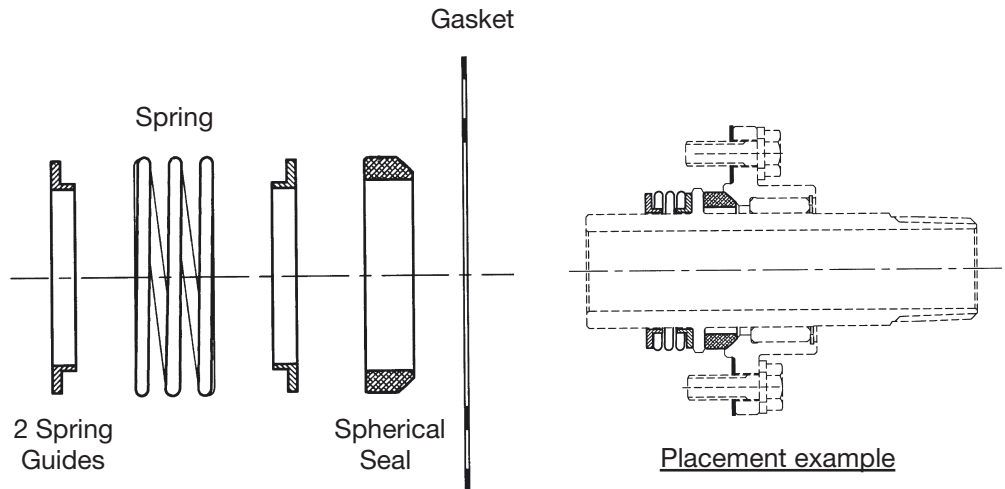
Joint size	CF Connection		Quick Release Connection	
	ØA	B	ØA	B
1"	Ø1.408"-1.406"	1.052"	Ø1.283"-1.279"	.312"
1 1/4"	--	1.052"	Ø1.624"-1.623"	.375"
1 1/2"	Ø2.099"-2.096"	1.052"	Ø1.877"-1.873"	.375"
2"	Ø2.724"-2.721"	1.052"	Ø2.325"-2.321"	.500"
2 1/2"	Ø3.099"-3.096"	1.052"	Ø2.845"-2.841"	.625"
3"	Ø3.724"-3.721"	1.052"	Ø3.439"-3.435"	.875"



Quick Release Flanges and split wedges are available. Contact DEUBLIN for more information.

Repair Kits

Joint Size	Part Number
1/2"	10-27274-00
3/4"	10-27275-00
1"	10-27276-00
1 1/4"	10-27277-00
1 1/2"	10-27278-00
2"	10-27279-00
2 1/2"	10-27280-00
3"	10-27281-00



DEUBLIN Company
 2050 Norman Drive
 Waukegan, IL 60085-6747 U.S.A.
 Phone: +1 847 689-8600
 Fax: +1 847 689-8690
 E-Mail: customerservice@deublin.com

Hot Oil Duoflow Fixed Siphon

Catalog C2006
Hot Oil Duoflow Fixed Siphon

BC-54000 SERIES HOT OIL

Special Design Features

- **Two widely spaced Carbon Bearings provides greater support to the siphon pipe and hoses.**
- **Carbon Seal placed under compression add strength and shock resistance. Joints lasts longer.**
- **External seal wear indicator allows for planned maintenance reducing expensive downtime.**



Sizes 1/2" to 3"

Type "C" Hot Oil Rotary Joints are ideal for a wide range of applications using heat transfer fluids. These joints feature an iron casing, ferrous sleeve and end cap, stainless steel spring and spring guides.

The high density carbon seal under compression and widely spaced bearing surfaces assure exceptionally long service life without lubrication. A key maintenance feature is the external seal wear indicator.

Operating Parameters:

Temperature:	+446°F (+230°C)
Pressure Rating:	100 psi (6.8 BAR)

Engineered for Performance

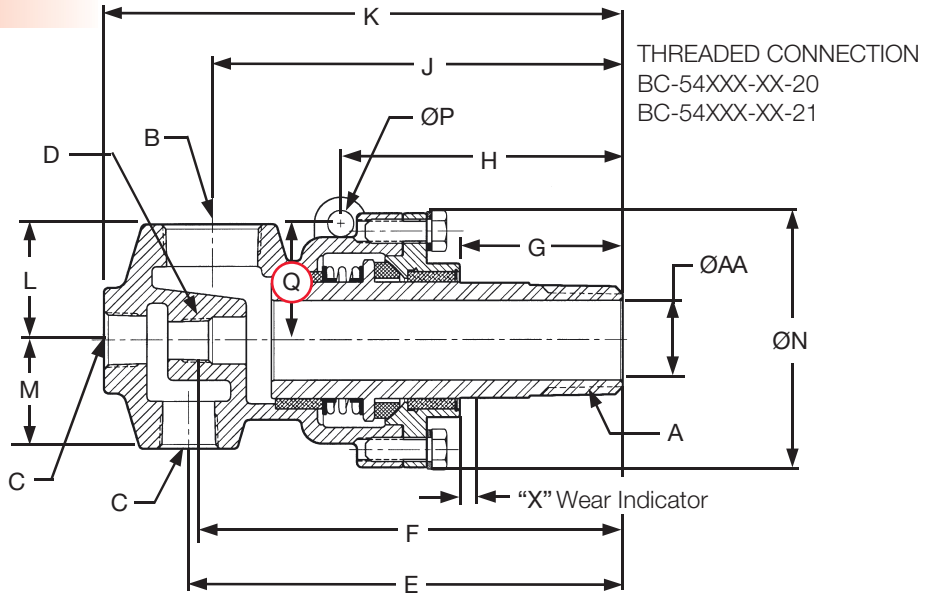
TYPE "CO" & "CFO"



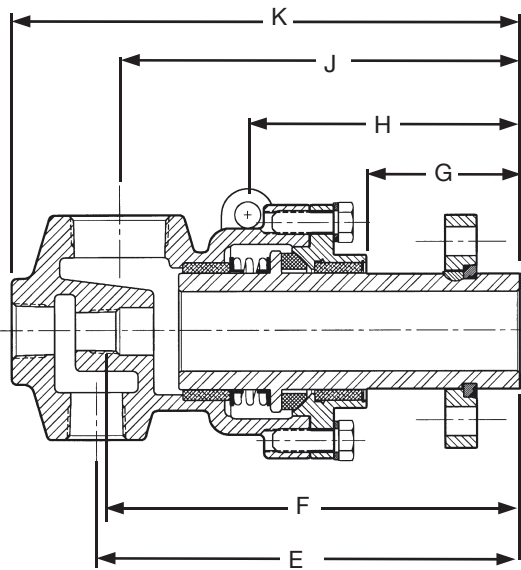
Ferrous Trim Construction
Recommended for Hot Oil service to
100 psi (6.8 BAR)

For BSPT threads:
Add a "B" to the end of the part number.
Example: BC-54000-08-20B

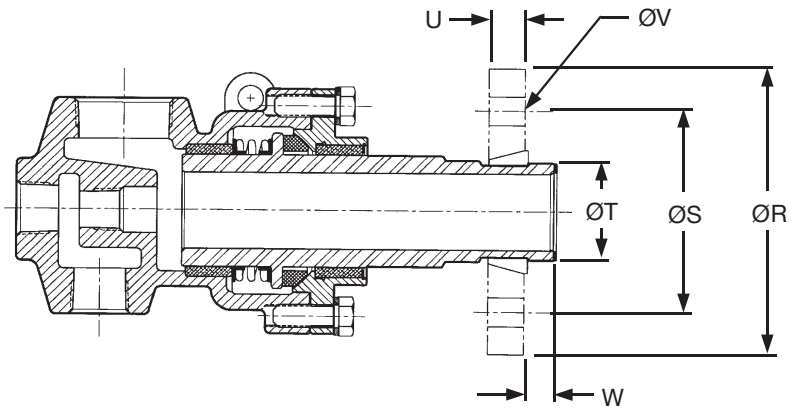
*BSPT Models are not supplied with syphon bushing



Joint Size	Ferrous Trim Part Number	A NPT	B NPT	øAA	C NPT	D Siphon Thread NPT	D Siphon Thd With Bushing*	E	F	G	H	J	K
1/2"	BC-54000-08-20	1/2" R.H.	1/2"	Ø.50"	1/4"	1/8"	—	5.37"	5.06"	1.73"	—	4.54"	5.87"
	BC-54000-08-21	1/2" L.H.	1/2"	Ø.50"	1/4"	1/8"	—	5.37"	5.06"	1.73"	—	4.54"	5.87"
3/4"	BC-54000-12-20	3/4" R.H.	3/4"	Ø.75"	1/2"	1/4"	1/8"	5.16"	5.25"	1.68"	—	4.54"	6.17"
	BC-54000-12-21	3/4" L.H.	3/4"	Ø.75"	1/2"	1/4"	1/8"	5.16"	5.25"	1.68"	—	4.54"	6.17"
1"	BC-54000-16-20	1" R.H.	1"	Ø1.00"	1/2"	3/8"	1/4"	5.96"	6.04"	2.03"	4.01"	5.21"	7.01"
	BC-54000-16-21	1" L.H.	1"	Ø1.00"	1/2"	3/8"	1/4"	5.96"	6.04"	2.03"	4.01"	5.21"	7.01"
	BC-54000-16-30	CF	1"	Ø1.00"	1/2"	3/8"	1/4"	6.69"	6.78"	2.77"	4.75"	5.94"	7.75"
	BC-54000-16-32	QR	1"	Ø1.00"	1/2"	3/8"	1/4"	6.70"	6.79"	2.78"	4.76"	5.95"	7.76"
1 1/4"	BC-54000-20-20	1 1/4" R.H.	1 1/4"	Ø1.25"	3/4"	1/2"	3/8"	6.99"	7.25"	1.89"	4.37"	6.68"	8.60"
	BC-54000-20-21	1 1/4" L.H.	1 1/4"	Ø1.25"	3/4"	1/2"	3/8"	6.99"	7.25"	1.89"	4.37"	6.68"	8.60"
	BC-54000-20-32	QR	1 1/4"	Ø1.25"	3/4"	1/2"	3/8"	8.55"	8.81"	3.45"	5.93"	8.24"	10.16"
1 1/2"	BC-54000-24-20	1 1/2" R.H.	1 1/2"	Ø1.50"	3/4"	3/4"	1/2"	7.48"	7.53"	2.12"	4.72"	7.04"	9.03"
	BC-54000-24-21	1 1/2" L.H.	1 1/2"	Ø1.50"	3/4"	3/4"	1/2"	7.48"	7.53"	2.12"	4.72"	7.04"	9.03"
	BC-54000-24-30	CF	1 1/2"	Ø1.50"	3/4"	3/4"	1/2"	8.89"	8.94"	3.53"	6.13"	8.45"	10.45"
	BC-54000-24-32	QR	1 1/2"	Ø1.50"	3/4"	3/4"	1/2"	8.89"	8.94"	3.53"	6.13"	8.45"	10.45"
2"	BC-54000-32-20	2" R.H.	2"	Ø1.88"	1 1/4"	3/4"	1/2"	8.62"	8.62"	2.19"	5.01"	8.06"	10.63"
	BC-54000-32-21	2" L.H.	2"	Ø1.88"	1 1/4"	3/4"	1/2"	8.62"	8.62"	2.19"	5.01"	8.06"	10.63"
	BC-54000-32-30	CF	2"	Ø1.88"	1 1/4"	3/4"	1/2"	10.09"	10.08"	3.66"	6.48"	9.53"	12.10"
	BC-54000-32-32	QR	2"	Ø1.88"	1 1/4"	3/4"	1/2"	9.71"	9.71"	3.28"	6.10"	9.15"	11.72"
2 1/2"	BC-54000-40-20	2 1/2" R.H.	2 1/2"	Ø2.25"	1 1/4"	1"	3/4"	10.14"	10.24"	2.91"	6.33"	9.76"	12.45"
	BC-54000-40-21	2 1/2" L.H.	2 1/2"	Ø2.25"	1 1/4"	1"	3/4"	10.14"	10.24"	2.91"	6.33"	9.76"	12.45"
	BC-54000-40-30	CF	2 1/2"	Ø2.25"	1 1/4"	1"	3/4"	10.09"	10.56"	3.66"	6.48"	9.53"	12.10"
	BC-54000-40-32	QR	2 1/2"	Ø2.25"	1 1/4"	1"	3/4"	10.77"	10.86"	3.54"	6.96"	10.39"	13.08"
3"	BC-54000-48-20	3" R.H.	3"	Ø2.88"	1 1/2"	1 1/2"	1"	10.86"	11.03"	3.05"	6.60"	10.67"	13.04"
	BC-54000-48-21	3" L.H.	3"	Ø2.88"	1 1/2"	1 1/2"	1"	10.86"	11.03"	3.05"	6.60"	10.67"	13.04"
	BC-54000-48-30	CF	3"	Ø2.88"	1 1/2"	1 1/2"	1"	11.35"	11.53"	3.55"	7.10"	11.16"	13.53"
	BC-54000-48-32	QR	3"	Ø2.88"	1 1/2"	1 1/2"	1"	11.36"	11.53"	3.55"	7.10"	11.16"	13.54"



"CF" CONNECTION
BC-54XXX-XX-30

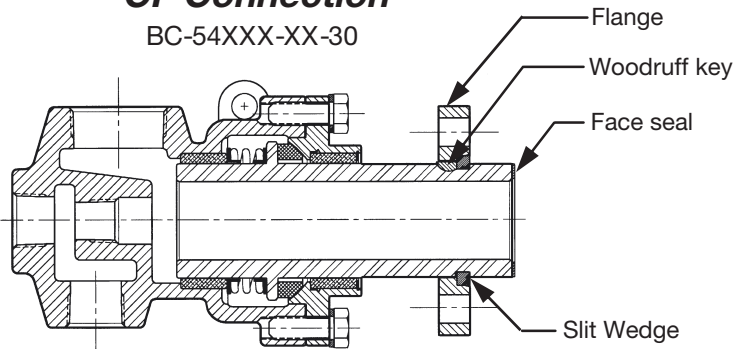


QUICK RELEASE CONNECTION
BC-54XXX-XX-32

L	M	ØN	ØP	Torque Rod O.D. Max.	Q	ØR	ØS	ØT	U	4X ØV	W	"X"	Weight	Joint Size
1.62"	1.16"	Ø3.00"	—	—	—	—	—	—	—	—	—	.19"	3.5 lbs	1/2"
1.62"	1.16"	Ø3.00"	—	—	—	—	—	—	—	—	—	.19"	3.5 lbs	
1.75"	1.25"	Ø3.38"	—	—	—	—	—	—	—	—	—	.19"	5 lbs.	3/4"
1.75"	1.25"	Ø3.38"	—	—	—	—	—	—	—	—	—	.19"	5 lbs.	
2.06"	1.25"	Ø3.62"	Ø.50"	Ø.38"	1.75"	—	—	—	—	—	—	.25"	6 lbs.	1"
2.06"	1.25"	Ø3.62"	Ø.50"	Ø.38"	1.75"	—	—	—	—	—	—	.25"	6 lbs.	
2.06"	1.25"	Ø3.62"	Ø.50"	Ø.38"	1.75"	Ø3.88"	Ø2.75"	Ø1.399"-1.401"	.75"	Ø.56"	1.092"	.25"	9 lbs.	
2.06"	1.25"	Ø3.62"	Ø.50"	Ø.38"	1.75"	Ø5.00"	Ø3.12"	Ø1.276"-1.278"	.56"	Ø.56"	.438"	.25"	9 lbs.	
2.19"	1.78"	Ø4.38"	Ø.62"	Ø.50"	2.09"	—	—	—	—	—	—	.25"	13 lbs	1 1/4"
2.19"	1.78"	Ø4.38"	Ø.62"	Ø.50"	2.09"	—	—	—	—	—	—	.25"	13 lbs	
2.19"	1.78"	Ø4.38"	Ø.62"	Ø.50"	2.09"	Ø5.50"	Ø3.50"	Ø1.620"-1.622"	.62"	Ø.56"	.50"	.25"	18 lbs.	
2.44"	2.06"	Ø4.75"	Ø.62"	Ø.50"	2.26"	—	—	—	—	—	—	.25"	15 lbs	1 1/2"
2.44"	2.06"	Ø4.75"	Ø.62"	Ø.50"	2.26"	—	—	—	—	—	—	.25"	15 lbs	
2.44"	2.06"	Ø4.75"	Ø.62"	Ø.50"	2.26"	Ø4.88"	Ø3.62"	Ø2.091"-2.093"	.75"	Ø.69"	1.092"	.25"	19 lbs	
2.44"	2.06"	Ø4.75"	Ø.62"	Ø.50"	2.26"	Ø5.50"	Ø3.88"	Ø1.872'-1.870"	.69"	Ø.56"	.50"	.25"	19 lbs.	
2.75"	2.56"	Ø6.00"	Ø.62"	Ø.50"	2.76"	—	—	—	—	—	—	.31"	26 lbs	2"
2.75"	2.56"	Ø6.00"	Ø.62"	Ø.50"	2.76"	—	—	—	—	—	—	.31"	26 lbs	
2.75"	2.56"	Ø6.00"	Ø.62"	Ø.50"	2.76"	Ø5.50"	Ø4.25"	Ø2.714"-2.716"	.75"	Ø.69"	1.092"	.31"	31 lbs	
2.75"	2.56"	Ø6.00"	Ø.62"	Ø.50"	2.76"	Ø6.81"	Ø4.75"	Ø2.318"-2.320"	.75"	Ø.56"	.625"	.31"	34 lbs.	
3.00"	2.50"	Ø6.75"	Ø.75"	Ø.62"	3.06"	—	—	—	—	—	—	.25"	33 lbs.	2 1/2"
3.00"	2.50"	Ø6.75"	Ø.75"	Ø.62"	3.06"	—	—	—	—	—	—	.25"	33 lbs.	
3.00"	2.50"	Ø6.75"	Ø.75"	Ø.62"	3.06"	Ø5.88"	Ø4.62"	Ø3.089"-3.091"	.75"	Ø.75"	1.092"	.25"	40 lbs	
3.00"	2.50"	Ø6.75"	Ø.75"	Ø.62"	3.06"	Ø6.75"	Ø4.75"	Ø2.838"-2.840"	.88"	Ø.56"	.75"	.25"	42 lbs.	
3.62"	2.88"	Ø7.88"	Ø.94"	Ø.75"	3.62"	—	—	—	—	—	—	.25"	45 lbs.	3"
3.62"	2.88"	Ø7.88"	Ø.94"	Ø.75"	3.62"	—	—	—	—	—	—	.25"	45 lbs.	
3.62"	2.88"	Ø7.88"	Ø.94"	Ø.75"	3.62"	Ø6.50"	Ø5.25"	Ø3.714"-3.716"	.75"	Ø.69"	1.092"	.25"	50 lbs	
3.62"	2.88"	Ø7.88"	Ø.94"	Ø.75"	3.62"	Ø8.00"	Ø6.75"	Ø3.430"-3.732"	.94"	Ø.69"	.88"	.25"	57 lbs.	

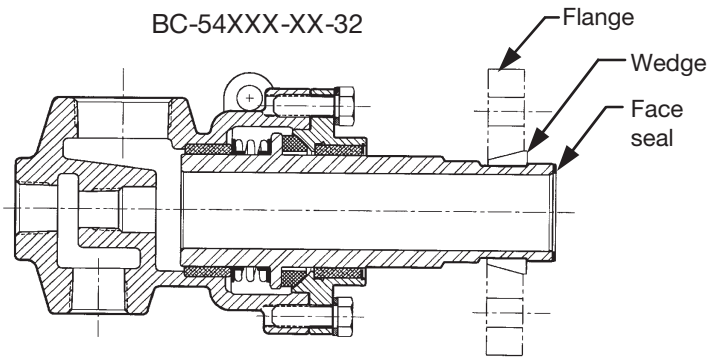
CF Connection

BC-54XXX-XX-30



Quick Release Connection

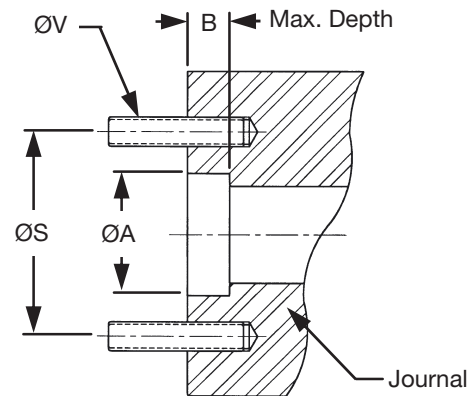
BC-54XXX-XX-32



Journal Dimensions

Joint size	CF Connection		Quick Release Connection	
	ØA	B	ØA	B
1"	Ø1.408"-1.406"	1.052"	Ø1.283"-1.279"	.312"
1 1/2"	Ø2.099"-2.096"	1.052"	Ø1.877"-1.873"	.375"
2"	Ø2.724"-2.721"	1.052"	Ø2.325"-2.321"	.500"
2 1/2"	Ø3.099"-3.096"	1.052"	Ø2.845"-2.841"	.625"
3"	Ø3.724"-3.721"	1.052"	Ø3.439"-3.435"	.875"

Quick Release Flanges and split wedges are available. Contact *DEUBLIN* for more information.



DEUBLIN's "Hot Oil" joints are recommended for applications using Dowtherm and other heat transfer fluids for circulating systems at temperatures up to +446°F (+230°C). The Type "CO" Hot Oil joint has been field-tested and proven to be the only satisfactory joint among those tested. It is being successfully used on a number of machines designed by several manufacturers of paper, textile, and rubber goods machinery.

Many of the present oils used tend to "coke" at high temperatures and deposit material which settles in the joint and must be periodically cleaned to remove this residue. In addition, hot spots in the system may generate this material. *DEUBLIN* recommends a 40-60 micron filter to be installed upstream from that rotary joint to collect this material and prevent its introduction to the joint.



DEUBLIN Company
2050 Norman Drive
Waukegan, IL 60085-6747 U.S.A.

Phone: +1 847 689-8600

Fax: +1 847 689-8690

E-Mail: customerservice@deublin.com

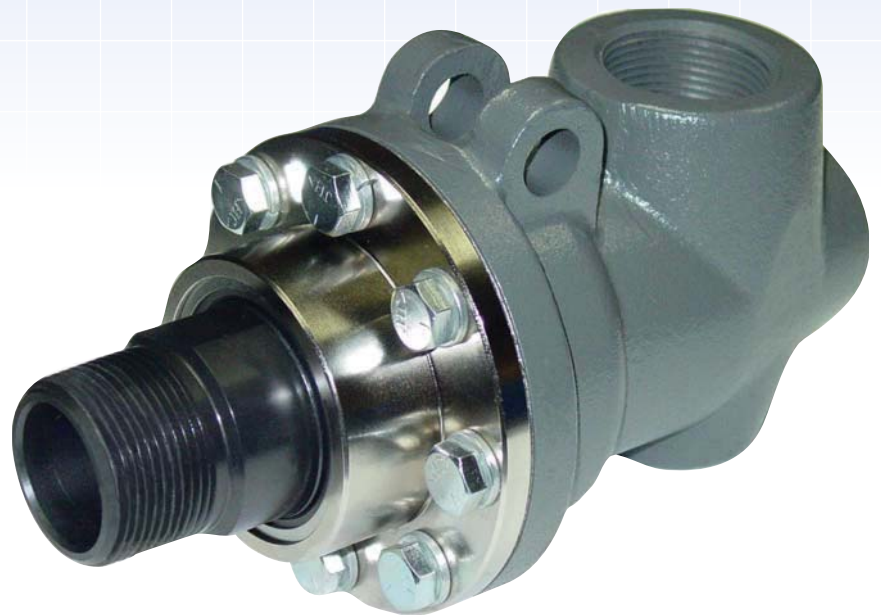
Hot Oil Monoflow

Catalog C2007
Hot Oil Monoflow

BC-54100 SERIES HOT OIL

Special Design Features

- **Two widely spaced Carbon Bearings provides greater support to the siphon pipe and hoses.**
- **Carbon Seal placed under compression add strength and shock resistance. Joints lasts longer.**
- **External seal wear indicator allows for planned maintenance reducing expensive downtime.**



Sizes 1/2” to 3”

Type “CS” Hot Oil Rotary Joints are ideal for a wide range of applications using heat transfer fluids. These joints feature an iron casing, ferrous sleeve and end cap, stainless steel spring and spring guides.

The high density carbon seal under compression and widely spaced bearing surfaces assure exceptionally long service life without lubrication. A key maintenance feature is the external seal wear indicator.

Operating Parameters:

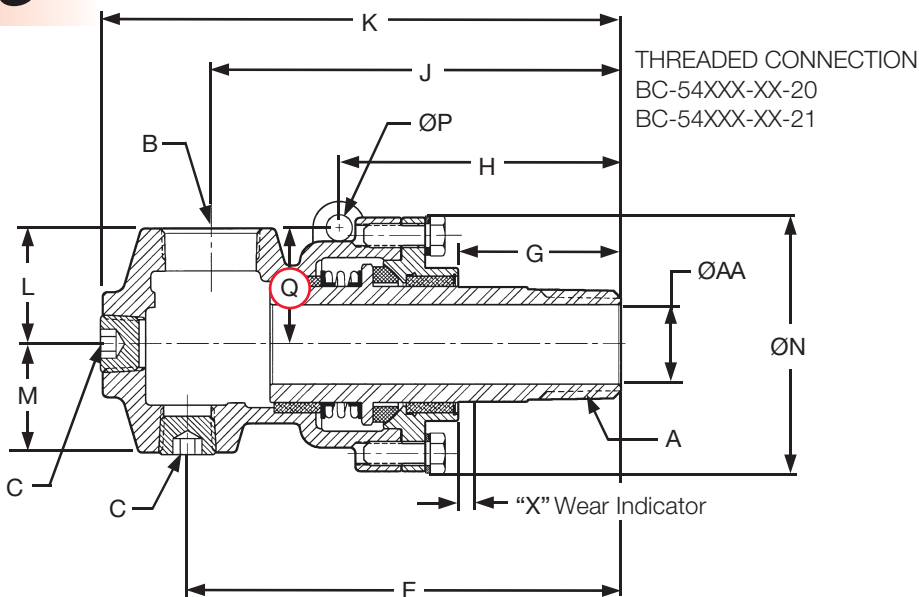
Temperature:	+446°F (+230°C)
Pressure Rating:	100 psi (6.8 BAR)

Engineered for Performance

TYPE "CSO" & "CSFO"



Ferrous Trim Construction
Recommended for Hot Oil service to
100 psi (6.8 BAR)

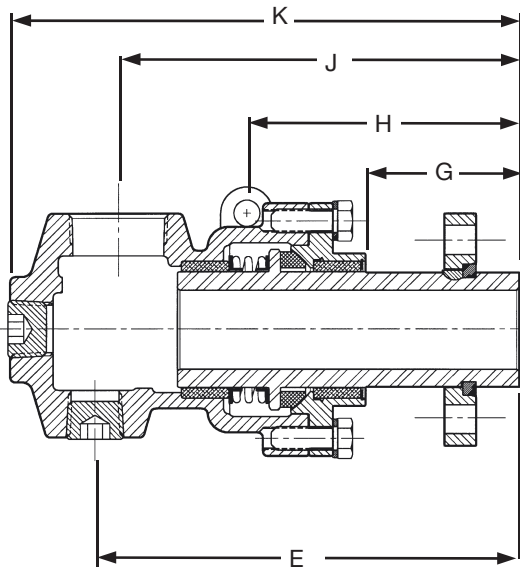


For BSPT threads:

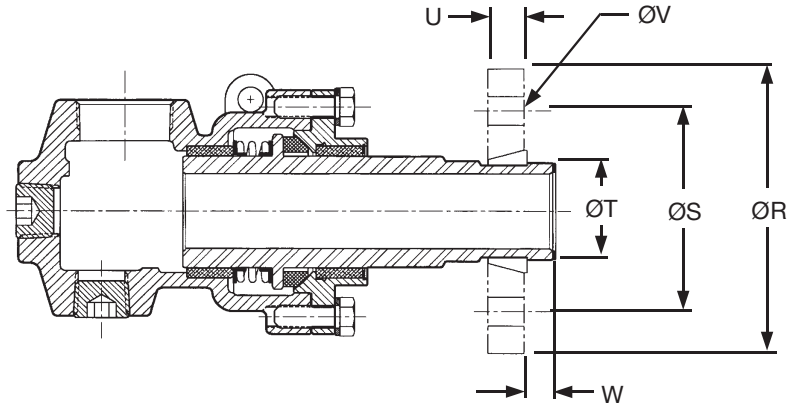
Add a "B" to the end of the part number.

Example: BC-54100-08-20B

Joint Size	Ferrous Trim Part Number	A NPT	B NPT	øAA	C NPT	E	G	H	J	K	L	M
1/2"	BC-54100-08-20	1/2" R.H.	1/2"	Ø.50"	1/4"	5.37"	1.73"	—	4.54"	5.87"	1.62"	1.16"
	BC-54100-08-21	1/2" L.H.	1/2"	Ø.50"	1/4"	5.37"	1.73"	—	4.54"	5.87"	1.62"	1.16"
3/4"	BC-54100-12-20	3/4" R.H.	3/4"	Ø.75"	1/2"	5.16"	1.68"	—	4.54"	6.17"	1.75"	1.25"
	BC-54100-12-21	3/4" L.H.	3/4"	Ø.75"	1/2"	5.16"	1.68"	—	4.54"	6.17"	1.75"	1.25"
1"	BC-54100-16-20	1" R.H.	1"	Ø1.00"	1/2"	5.96"	2.03"	4.01"	5.21"	7.01"	2.06"	1.25"
	BC-54100-16-21	1" L.H.	1"	Ø1.00"	1/2"	5.96"	2.03"	4.01"	5.21"	7.01"	2.06"	1.25"
	BC-54100-16-30	CF	1"	Ø1.00"	1/2"	6.69"	2.77"	4.75"	5.94"	7.75"	2.06"	1.25"
	BC-54100-16-32	QR	1"	Ø1.00"	1/2"	6.70"	2.78"	4.76"	5.95"	7.76"	2.06"	1.25"
1 1/4"	BC-54100-20-20	1 1/4" R.H.	1 1/4"	Ø1.25"	3/4"	6.99"	1.89"	4.37"	6.68"	8.60"	2.19"	1.78"
	BC-54100-20-21	1 1/4" L.H.	1 1/4"	Ø1.25"	3/4"	6.99"	1.89"	4.37"	6.68"	8.60"	2.19"	1.78"
	BC-54100-20-32	QR	1 1/4"	Ø1.25"	3/4"	8.55"	3.45"	5.93"	8.24"	10.16"	2.19"	1.78"
1 1/2"	BC-54100-24-20	1 1/2" R.H.	1 1/2"	Ø1.50"	3/4"	7.48"	2.12"	4.72"	7.04"	9.03"	2.44"	2.06"
	BC-54100-24-21	1 1/2" L.H.	1 1/2"	Ø1.50"	3/4"	7.48"	2.12"	4.72"	7.04"	9.03"	2.44"	2.06"
	BC-54100-24-30	CF	1 1/2"	Ø1.50"	3/4"	8.89"	3.53"	6.13"	8.45"	10.45"	2.44"	2.06"
	BC-54100-24-32	QR	1 1/2"	Ø1.50"	3/4"	8.89"	3.53"	6.13"	8.45"	10.45"	2.44"	2.06"
2"	BC-54100-32-20	2" R.H.	2"	Ø1.88"	1 1/4"	8.62"	2.19"	5.01"	8.06"	10.63"	2.75"	2.56"
	BC-54100-32-21	2" L.H.	2"	Ø1.88"	1 1/4"	8.62"	2.19"	5.01"	8.06"	10.63"	2.75"	2.56"
	BC-54100-32-30	CF	2"	Ø1.88"	1 1/4"	10.09"	3.66"	6.48"	9.53"	12.10"	2.75"	2.56"
	BC-54100-32-32	QR	2"	Ø1.88"	1 1/4"	9.71"	3.28"	6.10"	9.15"	11.72"	2.75"	2.56"
2 1/2"	BC-54100-40-20	2 1/2" R.H.	2 1/2"	Ø2.25"	1 1/4"	10.14"	2.91"	6.33"	9.76"	12.45"	3.00"	2.50"
	BC-54100-40-21	2 1/2" L.H.	2 1/2"	Ø2.25"	1 1/4"	10.14"	2.91"	6.33"	9.76"	12.45"	3.00"	2.50"
	BC-54100-40-30	CF	2 1/2"	Ø2.25"	1 1/4"	10.09"	3.66"	6.48"	9.53"	12.10"	3.00"	2.50"
	BC-54100-40-32	QR	2 1/2"	Ø2.25"	1 1/4"	10.77"	3.54"	6.96"	10.39"	13.08"	3.00"	2.50"
3"	BC-54100-48-20	3" R.H.	3"	Ø2.88"	1 1/2"	10.86"	3.05"	6.60"	10.67"	13.04"	3.62"	2.88"
	BC-54100-48-21	3" L.H.	3"	Ø2.88"	1 1/2"	10.86"	3.05"	6.60"	10.67"	13.04"	3.62"	2.88"
	BC-54100-48-30	CF	3"	Ø2.88"	1 1/2"	11.35"	3.55"	7.10"	11.16"	13.53"	3.62"	2.88"
	BC-54100-48-32	QR	3"	Ø2.88"	1 1/2"	11.36"	3.55"	7.10"	11.16"	13.54"	3.62"	2.88"



“CF” CONNECTION
BC-54XXX-XX-30

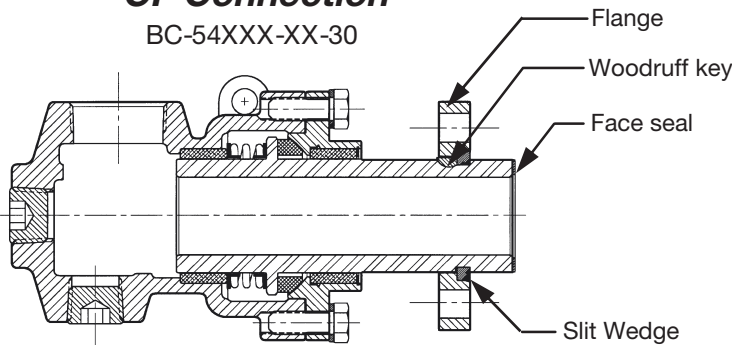


QUICK RELEASE CONNECTION
BC-54XXX-XX-32

ØN	ØP	Torque Rod O.D. Max.	Q	ØR	ØS	ØT	U	4X ØV	W	“X”	Weight	Joint Size
Ø3.00”	—	—	—	—	—	—	—	—	—	.19”	3.5 lbs	1/2”
Ø3.00”	—	—	—	—	—	—	—	—	—	.19”	3.5 lbs	
Ø3.38”	—	—	—	—	—	—	—	—	—	.19”	5 lbs.	3/4”
Ø3.38”	—	—	—	—	—	—	—	—	—	.19”	5 lbs.	
Ø3.62”	Ø.50”	Ø.38”	1.75”	—	—	—	—	—	—	.25”	6 lbs.	1”
Ø3.62”	Ø.50”	Ø.38”	1.75”	—	—	—	—	—	—	.25”	6 lbs.	
Ø3.62”	Ø.50”	Ø.38”	1.75”	Ø3.88”	Ø2.75”	Ø1.399”-1.401”	.75”	Ø.56”	1.092”	.25”	9 lbs.	
Ø3.62”	Ø.50”	Ø.38”	1.75”	Ø5.00”	Ø3.12”	Ø1.276”-1.278”	.56”	Ø.56”	.438”	.25”	9 lbs.	
Ø4.38”	Ø.62”	Ø.50”	2.09”	—	—	—	—	—	—	.25”	13 lbs	1 1/4”
Ø4.38”	Ø.62”	Ø.50”	2.09”	—	—	—	—	—	—	.25”	13 lbs	
Ø4.38”	Ø.62”	Ø.50”	2.09”	Ø5.50”	Ø3.50”	Ø1.620”-1.622”	.62”	Ø.56”	.50”	.25”	18 lbs.	
Ø4.75”	Ø.62”	Ø.50”	2.26”	—	—	—	—	—	—	.25”	15 lbs	1 1/2”
Ø4.75”	Ø.62”	Ø.50”	2.26”	—	—	—	—	—	—	.25”	15 lbs	
Ø4.75”	Ø.62”	Ø.50”	2.26”	Ø4.88”	Ø3.62”	Ø2.091”-2.093”	.75”	Ø.69”	1.092”	.25”	19 lbs	
Ø4.75”	Ø.62”	Ø.50”	2.26”	Ø5.50”	Ø3.88”	Ø1.872”-1.870”	.69”	Ø.56”	.50”	.25”	19 lbs.	
Ø6.00”	Ø.62”	Ø.50”	2.76”	—	—	—	—	—	—	.31”	26 lbs	2”
Ø6.00”	Ø.62”	Ø.50”	2.76”	—	—	—	—	—	—	.31”	26 lbs	
Ø6.00”	Ø.62”	Ø.50”	2.76”	Ø5.50”	Ø4.25”	Ø2.714”-2.716”	.75”	Ø.69”	1.092”	.31”	31 lbs	
Ø6.00”	Ø.62”	Ø.50”	2.76”	Ø6.81”	Ø4.75”	Ø2.318”-2.320”	.75”	Ø.56”	.625”	.31”	34 lbs.	
Ø6.75”	Ø.75”	Ø.62”	3.06”	—	—	—	—	—	—	.25”	33 lbs.	2 1/2”
Ø6.75”	Ø.75”	Ø.62”	3.06”	—	—	—	—	—	—	.25”	33 lbs.	
Ø6.75”	Ø.75”	Ø.62”	3.06”	Ø5.88”	Ø4.62”	Ø3.089”-3.091”	.75”	Ø.75”	1.092”	.25”	40 lbs	
Ø6.75”	Ø.75”	Ø.62”	3.06”	Ø6.75”	Ø4.75”	Ø2.838”-2.840”	.88”	Ø.56”	.75”	.25”	42 lbs.	
Ø7.88”	Ø.94”	Ø.75”	3.62”	—	—	—	—	—	—	.25”	45 lbs.	3”
Ø7.88”	Ø.94”	Ø.75”	3.62”	—	—	—	—	—	—	.25”	45 lbs.	
Ø7.88”	Ø.94”	Ø.75”	3.62”	Ø6.50”	Ø5.25”	Ø3.714”-3.716”	.75”	Ø.69”	1.092”	.25”	50 lbs	
Ø7.88”	Ø.94”	Ø.75”	3.62”	Ø8.00”	Ø6.75”	Ø3.430”-3.732”	.94”	Ø.69”	.88”	.25”	57 lbs.	

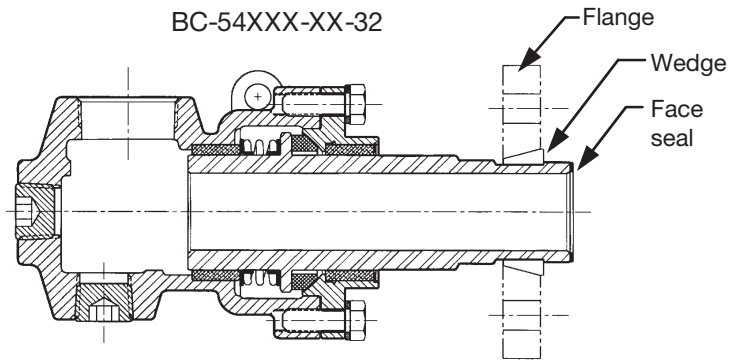
CF Connection

BC-54XXX-XX-30



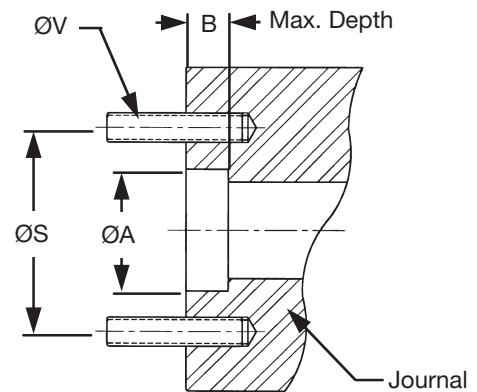
Quick Release Connection

BC-54XXX-XX-32



Journal Dimensions

Joint size	CF Connection		Quick Release Connection	
	ØA	B	ØA	B
1"	Ø1.408"-1.406"	1.052"	Ø1.283"-1.279"	.312"
1 1/2"	Ø2.099"-2.096"	1.052"	Ø1.877"-1.873"	.375"
2"	Ø2.724"-2.721"	1.052"	Ø2.325"-2.321"	.500"
2 1/2"	Ø3.099"-3.096"	1.052"	Ø2.845"-2.841"	.625"
3"	Ø3.724"-3.721"	1.052"	Ø3.439"-3.435"	.875"



Quick Release Flanges and split wedges are available. Contact DEUBLIN for more information.

DEUBLIN's "Hot Oil" joints are recommended for applications using Dowtherm and other heat transfer fluids for circulating systems at temperatures up to +446°F (+230°C). The Type "CO" Hot Oil joint has been field-tested and proven to be the only satisfactory joint among those tested. It is being successfully used on a number of machines designed by several manufacturers of paper, textile, and rubber goods machinery.

Many of the present oils used tend to "coke" at high temperatures and deposit material which settles in the joint and must be periodically cleaned to remove this residue. In addition, hot spots in the system may generate this material. DEUBLIN recommends a 40-60 micron filter to be installed upstream from that rotary joint to collect this material and prevent its introduction to the joint.



DEUBLIN Company
2050 Norman Drive
Waukegan, IL 60085-6747 U.S.A.

Phone: +1 847 689-8600

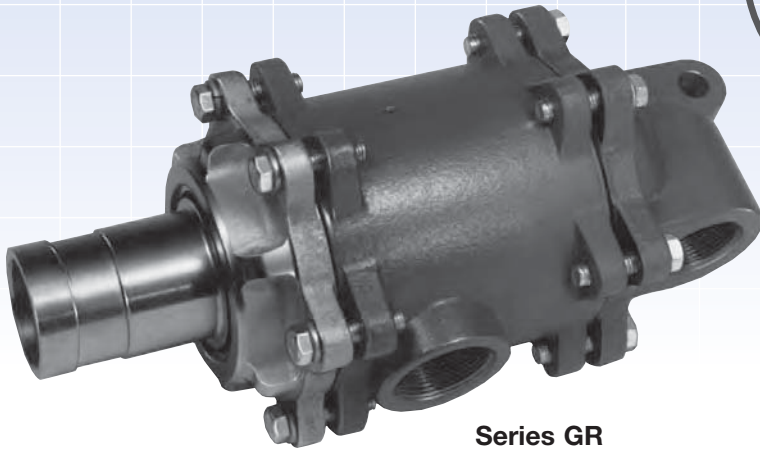
Fax: +1 847 689-8690

E-Mail: customerservice@deublin.com

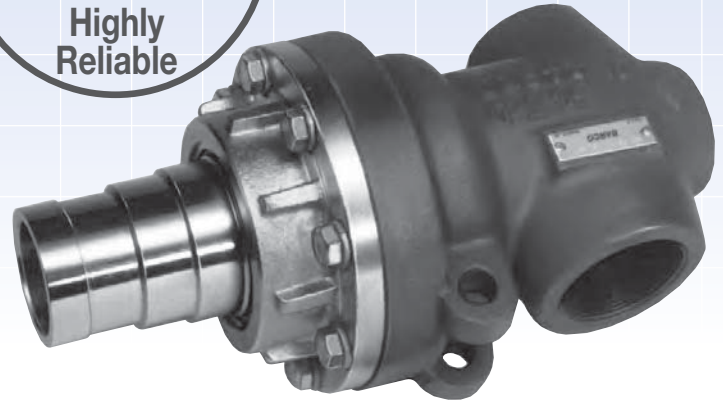
Rotary Steam Joints for Open Gear Paper Machines

BULLETIN 3700

Long
Life
Improved
Corrosion
Resistance
Highly
Reliable



Series GR



Series Super G

For rotary siphons
sizes 2", 2½" and 3"

For stationary siphons
sizes 1¼", 1½" and 2"

GR Special Design Features

- Antimony seals and bearings in the GRX provide longer life, especially on higher speed machines
- Sleeves are dual-driven by two keys to give greater resistance to side load and eccentric motion.
- External seal wear indicator for preventive maintenance.
- All wear surfaces are treated for improved corrosion resistance.
- Directly interchangeable with competitive designs.
- Seal under compression design can better handle pressure surges and promotes longer life.

Super G Special Design Features

- Antimony seals and bearings are standard.
- Two widely spaced bearings for stability, greater siphon support and longer wear.
- Available in quick release flange assembly or threaded sleeve.
- External seal wear indicator for preventive maintenance.
- All wear surfaces are treated for improved corrosion resistance.
- Directly interchangeable with competitive designs.
- Seal under compression design can better handle pressure surges and promotes longer life.

Operating Data

Max. Pressure, Series GR	
160 PSI	11 BAR
Max. Pressure, Series Super G	
250 PSI	17,2 BAR

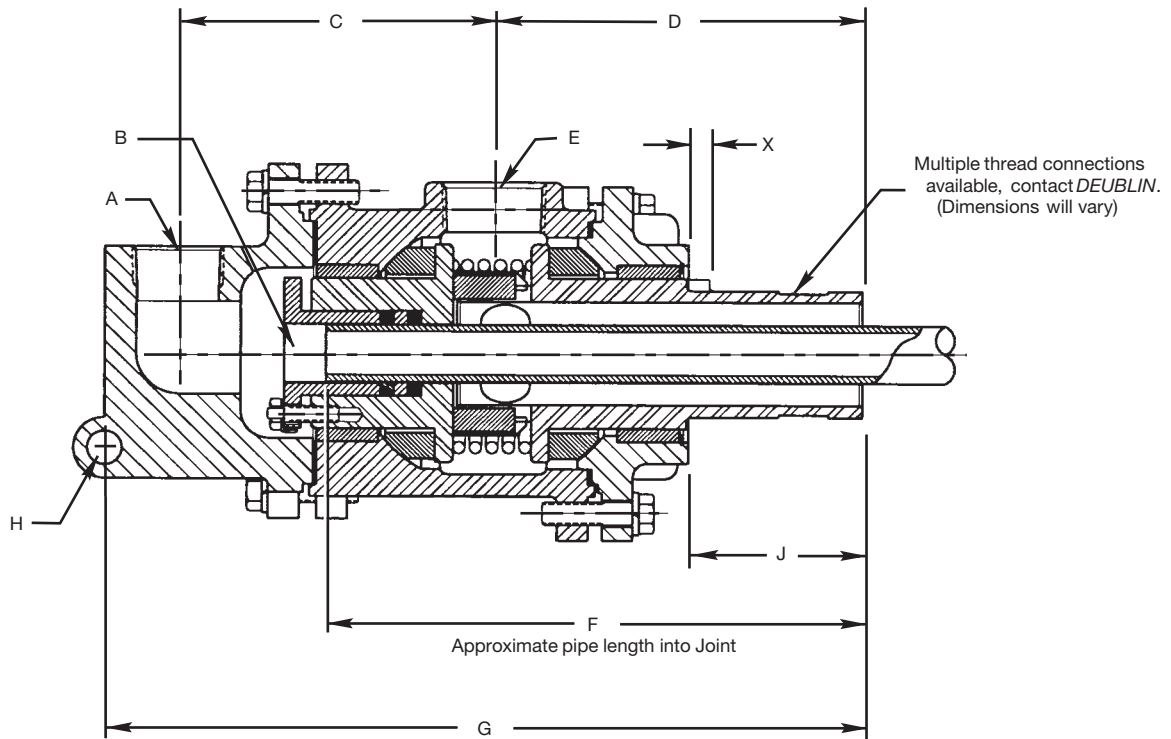
Engineered for Performance

DEUBLIN SERIES GR AND GRX Rotary Steam Joints

For Open Gear Paper Machines with Rotary Siphons

GR carbon seals under compression

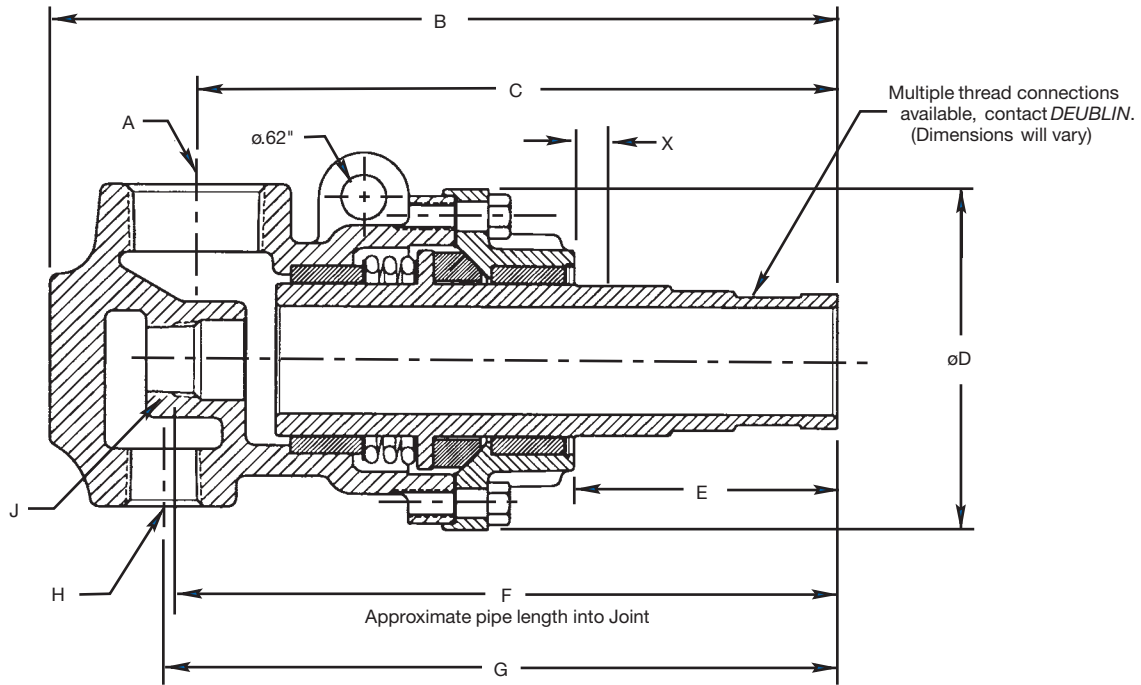
GRX antimony seals and bearings



Joint Size	GR Joint Part number	GRX Joint Part number	A Thread NPT	B* Siphon	C	D	E Thread NPT	F	G	H	J	X							
2"	BC-56343-32-62	BC-56743-32-62	1"	3/4"	5.75"	6.88"	1 1/2"	10.00"	13.75"	.62"	3.16"	.44"							
	BC-56354-32-62	BC-56754-32-62	1 1/4"	1"	(146)	(175)		(254)	(349)	(16)	(80)	(11)							
2 1/2"	BC-56343-40-62	BC-56743-40-62	1"	3/4"	6.44"	7.25"	2"	10.75"	14.79"	.69"	3.06"	.41"							
	BC-56344-40-62	BC-56744-40-62	1"	1"									(163)	(184)	(273)	(376)	(17)	(78)	(10)
	BC-56355-40-62	BC-56755-40-62	1 1/4"	1 1/4"															
3"	BC-56354-48-62	BC-56754-48-62	1 1/4"	1"	6.81"	7.51"	2 1/2"	10.75"	15.88"	.69"	2.93"	.41"							
	BC-56355-48-62	BC-56755-48-62	1 1/4"	1 1/4"									(173)	(191)	(273)	(403)	(17)	(74)	(10)
	BC-56366-48-62	BC-56766-48-62	1 1/2"	1 1/2"															

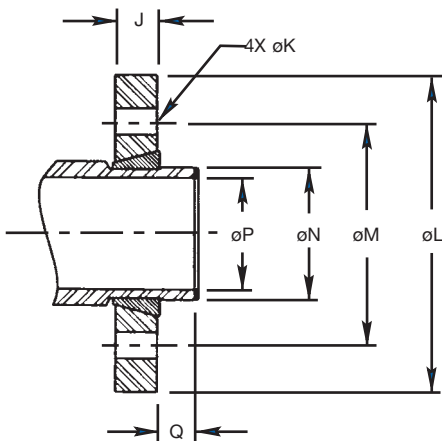
*Other siphon sizes available, contact DEUBLIN.

For Open Gear Paper Machines with Stationary Siphons



Joint Size	Super G Part number	A Thread NPT	B	C	ϕD	E	F Syphon	G	H Thread NPT	J Thread NPT	X
1 1/4"	BC-55000-20-62	1 1/4"	10.45" (265)	8.54" (217)	4.38" (111)	3.48" (88)	9.00" (229)	8.85" (225)	3/4"	1/2"	.34" (8,6)
1 1/2"	BC-55000-24-62	1 1/2"	10.87" (276)	8.87" (225)	4.75" (121)	3.63" (92)	9.35" (237)	9.31" (236)	3/4"	3/4"	.34" (8,6)
2"	BC-55000-32-62	2"	12.02" (305)	9.46" (240)	6.00" (152)	3.20" (81)	10.07" (256)	10.08" (256)	1 1/4"	3/4"	.41" (10)

Flange Detail for GR, GRX, and Super G



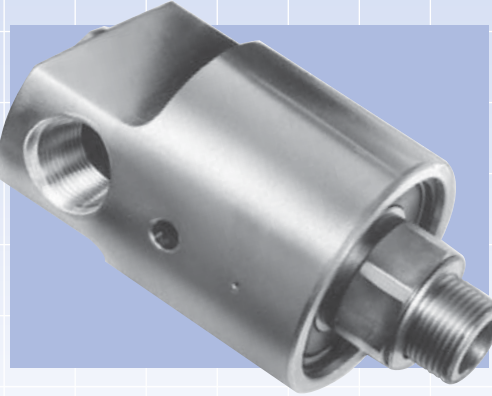
Joint Size	Part number*	J	ϕK	ϕL	ϕM	ϕN	ϕP	Q
1 1/4"	10-64034-43	.62" (16)	.56" (14)	5.50" (140)	3.50" (89)	1.620" - 1.622" (41,15 - 41,20)	1.25" (32)	.500" (13)
1 1/2"	10-64035-43	.69" (17)	.56" (14)	5.50" (140)	3.58" (98)	1.870" - 1.872" (47,50 - 47,55)	1.50" (38)	.500" (13)
2"	10-64036-43	.75" (19)	.56" (14)	6.81" (173)	4.75" (121)	2.318" - 2.320" (58,88 - 58,93)	1.88" (48)	.625" (16)
2 1/2"	10-64037-43	.88" (22)	.56" (14)	6.75" (171)	4.75" (121)	2.836" - 2.838" (72,03 - 72,08)	2.38" (60)	.748" (19)
3"	10-64038-43	.94" (24)	.69" (18)	8.00" (203)	6.75" (171)	3.428" - 3.430" (87,07 - 87,12)	2.88" (73)	.878" (22)

*Kit consists of Split Wedges, Flange and Gasket.

Special Flanges Available on Request, Contact DEUBLIN.

Serving Industry With the Highest Quality Rotary Unions and Swivel Joints Since 1908

DEUBLIN engineered products meet a wide variety of applications requiring various sizes, pressures, speeds, and temperatures and handle a broad range of media.

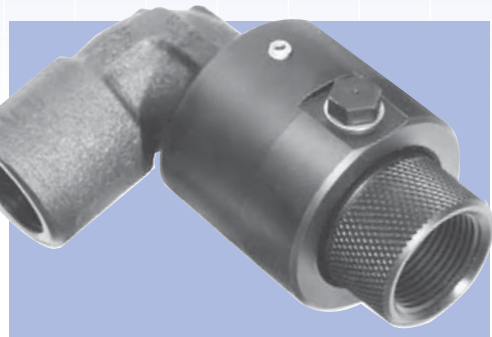


Rotary Unions

Designed for applications requiring positive sealing between fixed plumbing and continually rotating machinery. They are used primarily in the printing, paper, rubber, plastics, food processing and machine tool industries.

Operating Data

Sizes from 1/4" to 4"
Pressures to 1500 PSI
Speeds to 10,000 RPM
Temperatures to 446°F
Media includes steam, water, brine, oil, gas, heat transfer fluids, air, hydraulic and coolants.

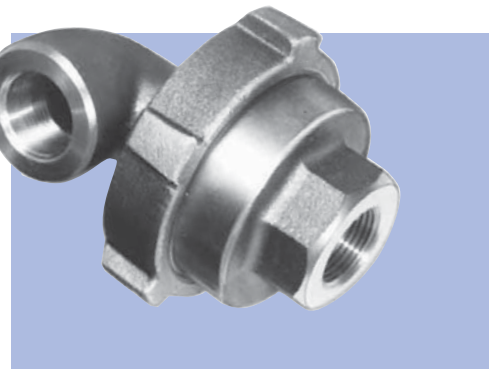


Plane Swivel Joints

Provide 360° movement between piping system elements in one or more planes for the conveyance or transfer of fluids. They are used primarily in applications such as automatic car wash installations, loading arms for fluids supply and transfer, hose reel assemblies, plant processing machinery applications, steel mill oxygen lances and floating roof tank drain systems.

Operating Data

Sizes from 1" to 8"
Pressures to 3000 PSI
Temperatures to 446°F
Media includes steam, oil, water, gas and chemicals.



Self-Aligning Swivel Joints

This is the direct method to handle rotary and angular alignment motion with positive sealing between piping system elements. They are used primarily on platen presses, food processing machinery and particle board presses.

Operating Data

Sizes from 3/8" to 2"
Pressures to 700 PSI
Temperatures to 446°F
Media includes steam, hot oil, water and alternating steam and water.

Custom-Designed Specials

For your special needs, our highly skilled engineers with state-of-the-art computer-aided design and manufacturing technology will design and build the product that will meet your specific requirement.



DEUBLIN Company
2050 Norman Drive
Waukegan, IL 60085-6747 U.S.A.

Phone: +1 847 689-8600

Fax: +1 847 689-8690

E-Mail: customerservice@deublin.com