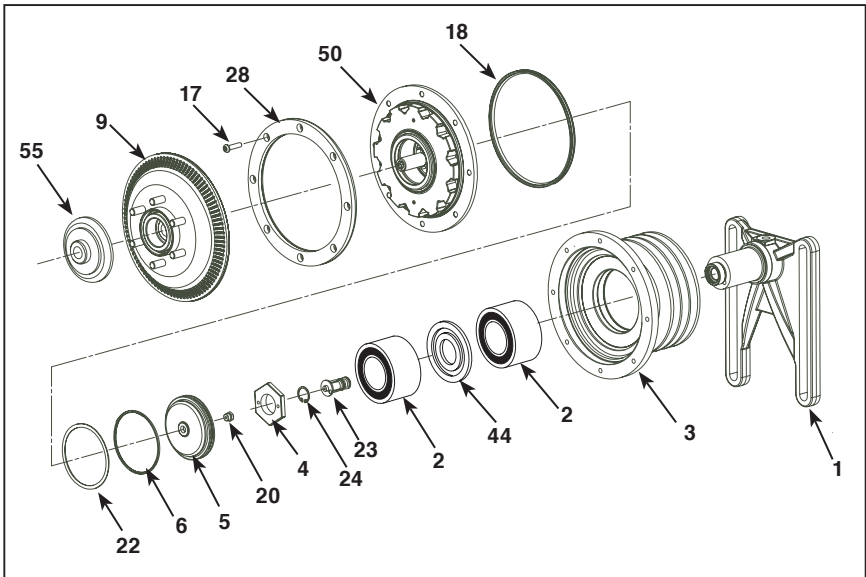


DM Advantage – Horton Fan Clutch Generic View



Item	Description	Qty
1	Journal Bracket	1
2	Ball Bearing/s <i>DM Advantage = Single DRAC</i>	2
3	Sheave	1
4	Bearing Nut	1
5	Air Chamber Cap	1
6	O-Ring Seal	1
9	Fan Mounting Disc/Studs	1
17	Button Head Screws	8
18	Air Chamber Seal	1
20	Face Seal	1
22	Air Chamber Cap Retaining Ring	1
23	Air Cartridge Assembly	1
24	Air Cartridge Retaining Ring	1
28	Friction Liner	1
44	Bearing Spacers	1
50	Spring Housing/Piston	1
55	Cage Nut <i>Used for repairs only</i>	